

TM 11-5820-921-40-2

TECHNICAL MANUAL

GENERAL SUPPORT MAINTENANCE MANUAL

POWER AMPLIFIER
AM-6545A/GRC-193A
(NSN 5820-01-186-3699)

HEADQUARTERS, DEPARTMENT OF THE ARMY

15 JANUARY 1986

TM 11-5820-921-40-2

TECHNICAL MANUAL

GENERAL SUPPORT MAINTENANCE MANUAL

POWER AMPLIFIER
AM-6545A/GRC-193A
(NSN 5820-01-186-3699)

HEADQUARTERS, DEPARTMENT OF THE ARMY

15 JANUARY 1986

**5**

SAFETY STEPS TO FOLLOW IF SOMEONE
IS THE VICTIM OF ELECTRICAL SHOCK

1

DO NOT TRY TO PULL OR GRAB THE INDIVIDUAL

2

IF POSSIBLE, TURN OFF THE ELECTRICAL POWER

3

IF YOU CANNOT TURN OFF THE ELECTRICAL
POWER, PULL, PUSH, OR LIFT THE PERSON TO
SAFETY USING A WOODEN POLE OR A ROPE OR
SOME OTHER INSULATING MATERIAL

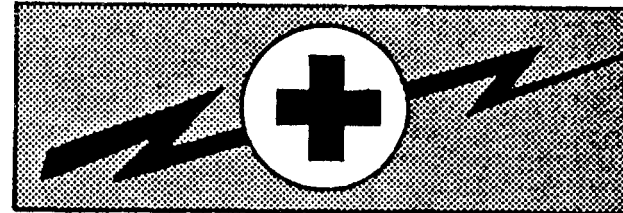
4

SEND FOR HELP AS SOON AS POSSIBLE

5

AFTER THE INJURED PERSON IS FREE OF
CONTACT WITH THE SOURCE OF ELECTRICAL
SHOCK, MOVE THE PERSON A SHORT DISTANCE
AWAY AND IMMEDIATELY START ARTIFICIAL
RESUSCITATION

WARNING



HIGH VOLTAGE

is used in the operation of this equipment

DEATH ON CONTACT

may result if personnel fail to observe safety precautions

Never work on electronic equipment unless there is another person nearby who is familiar with the operation and hazards of the equipment and who is competent in administering first aid. When the technician is aided by operators, he must warn them about dangerous areas.

Whenever possible, the power supply to the equipment must be shut off before beginning work on the equipment. Take particular care to ground every capacitor likely to hold a dangerous potential. When working inside the equipment, after the power has been turned off, always ground every part before touching it.

Be careful not to contact high-voltage connections or 115 volt ac input connections when installing or operating this equipment.

Whenever the nature of the operation permits, keep one hand away from the equipment to reduce the hazard of current flowing through the body.

Warning: Do not be misled by the term "low voltage." Potentials as low as 50 volts may cause death under adverse conditions.

For Artificial Respiration, refer to FM 21-11.

SAFETY SUMMARY

The following are general safety precautions that are not related to any specific procedures and therefore do not appear elsewhere in this publication. These are recommended precautions that personnel must understand and apply during many phases of operation and maintenance.

KEEP AWAY FROM LIVE CIRCUITS

Operating personnel must at all times observe all safety regulations. Unless specifically directed in this manual, do not replace components or make adjustments inside the equipment with any power supply turned on. Under certain conditions, dangerous potentials may exist in the power supplies when the power control is in the off position. To avoid casualties, always remove power and discharge and ground a circuit before touching it.

DO NOT SERVICE OR ADJUST ALONE

Under no circumstances should any person reach into or enter the enclosure for the purpose of servicing or adjusting the equipment except in the presence of someone who is capable of rendering aid.

RESUSCITATION

FIRST AID

Each person engaged in electrical operations will be trained in first aid, particularly in the technique of mouth to mouth resuscitation and closed chest heart massage (FM 21-11).

The following warnings appear in this volume, and are repeated here for emphasis.

WARNING

A 3-wire (line, neutral, and safety ground) AC line power connections is required when operating the equipment. If a 3-wire safety grounded AC power receptacle is not available, a separate ground wire must be installed from the chassis ground to an earth ground. Without an adequate ground, the equipment chassis and frame will float to a dangerously high potential.

WARNING

Lethal voltage is used in the operational checkout of this unit. Death on contact may result if personnel fail to observe the following safety precautions. Remove watches and rings and exercise extreme caution when working inside the equipment throughout the remainder of this procedure.

WARNING

Prior to performing the following functions all electrical power is to be removed from the system. External power disconnected and a "MAINTENANCE IN PROGRESS" tag attached or power switches will be locked out to prevent inadvertent energizing of the system.

WARNING

Lifting heavy equipment incorrectly can cause serious injury. Do not try to lift more than 35 pounds by yourself. Get a helper. Bend legs while lifting. Don't support heavy weight with your back.

Technical Manual
No. 11-5820-921-40-2

HEADQUARTERS
DEPARTMENT OF THE ARMY
Washington, DC, 15 January 1986

GENERAL SUPPORT MAINTENANCE MANUAL

**POWER AMPLIFIER AM-6545A/GRC-193A
(NSN 5820-01-186-3699)**

REPORTING ERRORS AND RECOMMENDING IMPROVEMENTS

You can help improve this manual. If you find any mistakes or if you know of a way to improve the procedures, please let us know. Mail your letter, DA Form 2028 (Recommended Changes to Publications and Blank Forms), or DA Form 2028-2 located in the back of this manual direct to: Commander, US Army Communications-Electronics Command and Fort Monmouth, ATTN: AMSEL-ME-MP, Fort Monmouth, NJ 07703-5007. A reply will be furnished to you.

TABLE OF CONTENTS

| Section | | Page |
|------------|---|-------------|
| | WARNINGS | A through D |
| 0 | GENERAL | 0-1 |
| 0-1 | Scope | 0-1 |
| 0-2 | Consolidated Index of Army Publications and Blank Forms | 0-1 |
| 0-3 | Maintenance Forms, Records and Reports | 0-1 |
| 0-4 | Reporting Equipment Improvement Recommendations | 0-1 |
| 0-5 | Administrative Storage | 0-1 |
| 0-6 | Destruction of Army Electronics Materiel | 0-1 |

NOTE

Maintenance Kit OA-9163/GRC-193A
is available as a Test Bed

CONTENTS

| Figure | Item | Page |
|--------|--|------|
| 1 | Assembly/Component Identification | 1 |
| 2 | Lubrication Instructions | 2 |
| 3 | Servicing Diagram | 3 |
| 4 | Unit Cabling and Connector Diagram | 8 |
| 5 | Overall Functional Interconnection Diagram | 9 |
| 6 | Case Assembly 1A14 Interconnection Diagram | 10 |
| 7 | Power Distribution and DC Control Diagram | 12 |
| 8 | Meter Board PWB Assembly 1A1, PN 755017A4210 | 16 |
| 9 | 9 DC Control PWB 1A2, PN 755017A4220 | 18 |
| 10 | System Control PWB 1A3, PN 755017A4230 | 20 |
| 11 | Tune Control PWB 1A4, PN 755017A4240 | 22 |
| 12 | Servo Amplifier PWB 1A5, PN 755017A4250. | 24 |
| 13 | Band Control PWB 1A6, PN 755017A4260. | 26 |
| 14 | ALC Module Assembly 1A7, PN 755017A4600 | 28 |

| Figure | Item | Page |
|--------|---|------|
| 15 | Tank Circuit Module Assembly 1A8, PN 755017A4500 | 30 |
| 16 | Plate Assembly 1A9, PN 755017A3900 | 34 |
| 17 | Tune Detector Module Assembly 1A10, PN 755017A4800 | 36 |
| 18 | RF Driver Module Assembly 1A11, PN 755017A4700 | 38 |
| 19 | Static Power Inverter Assembly 1A12, PN 755017A4900 | 40 |
| 20 | High Voltage Module Assembly 1A13, PN 755017A4300 | 42 |
| 21 | Interconnection PCB Assembly 1A14A1, PN 755017A4270 | 44 |
| 22 | Indicator Assembly 1A14A4, PN 755017A3800 | 45 |
| 23 | Tube Socket Assembly 1A14A2, PN 755017A4400 | 45 |
| 24 | DC-DC Converter Assembly 1A14A3, PN 755017A4100 | 45 |
| 25 | Junction Block PWB Assembly 1A14A5, PN 755017A4041 | 46 |
| 26 | Regulator Assembly 1A14A6, PN 755017A4031 | 46 |
| 27 | Component Bracket Assembly, PN 755017A4064 | 46 |
| 28 | Harmonic Filter Assembly 1A15, PN 755017A4070 | 47 |
| | APPENDIX A. REFERENCES | A-1 |

NOTES

1. This document contains the data necessary to facilitate maintenance and servicing of Power Amplifier AM-6545/GRC-193, a component of Radio Set AN/GRC-193 and the vehicle mounted Radio Set AN/MRC-138. Technical characteristics, assembly and component location and identification and servicing diagrams including operational sequence, flow, test point measurement data, and functional circuit blocks are contained herein.
2. There are two alignment procedures applicable to Power Amplifier AM-6545/GRC-193 at this level of maintenance: The high voltage over-voltage threshold adjustment on DC control PWB assembly 1A2 and the DC overvoltage adjustment on system control PWB assembly 1A3. These alignment procedures are located on the figure associated with the assembly upon which the procedure is performed.
3. Only conventional tools and equipment are required to perform the alignment procedures specified in note 2, above.
4. Power Amplifier AM-6545/GRC-193 contains no fuse, but there are two circuit breakers for the +26.5 VDC. The 3 amp circuit breaker, shown on figure 5 and located on the front panel, is for the +26.5 VDC DIRECT to Antenna Coupler CU-2064/GRC-193 and is labeled ANT CPLR CB. The 50 amp circuit breaker, shown on figure 5 and located on the front panel, is for the +26.5 VDC DIRECT to the Power Amplifier and is labeled PA CB.
5. The following warnings and cautions apply in the event circumstances warrant them to protect personnel and the equipment:

WARNING**DANGER HIGH VOLTAGE**

Dangerously high voltages (+1600 Vdc) are present on the plates of power amplifier tubes 1A1V1 and 1A1V2 (Y-621B), tank circuit module 1A8, plate assembly 1A9, and high voltage module 1A13. Do not touch any part of these components when the equipment is energized.

WARNING

Make sure the power is off before performing any cleaning inspection or maintenance.

WARNING

Power amplifier tubes 1A14V1 and 1A14V2 (Y-621B) contain BeO (Beryllium Oxide Ceramics). The dust or fumes from BeO are highly toxic and breathing them can result in serious personal injury or death. Normal use of electron tubes containing BeO is safe. However, never alter, disassemble, grind, lap, fire, chemically clean, or perform any other operation on any ceramic parts of the power tubes which could possibly generate dust or fumes.

6. Lubrication instructions applicable to the gear assemblies of tank circuit module assembly 1A8 are in figure 2.
7. The parts location information given in this manual is essentially for the quick-look ready use of maintenance personnel. The callouts and markings on these illustrations do not necessarily reflect the actual markings on the equipment. The actual equipment markings may be harder to read due to manufacturing processes such as soldering and coating.
8. The test point values and conditions given on sheet 5 of figure 3 are those encountered during Radio Sets AN/GRC-193 and AN/MRC-138 operation. If equivalent power amplifier inputs are used, allowances must be made, as necessary, for the indications observed.

TECHNICAL CHARACTERISTICS

| | |
|---|--|
| DIMENSIONS: HEIGHT LENGTH WIDTH | 8.0 inches (20.3 cm) 16.4 inches (41.7 cm) 11.4 inches (28.9 cm) |
| WEIGHT | 54 lbs. (24.5 kg) |
| FREQUENCY RANGE | 2.0 to 29.9999 MHz in 0.1 kHz increments |
| TYPE OF AMPLIFIER | High frequency power amplifier |
| RF POWER OUTPUT | 400 watt PEP or average |
| RF INPUT | Less than 100 milliwatts for rated output. (2 watts PEP maximum) |
| TUNING | Automatic - less than 6 seconds |
| DUTY CYCLE | Continuous transmit at 400 watts average power output |
| INPUT AND OUTPUT IMPEDANCE | 50 ohms with VSWR <1.3:1 |
| PRIMARY POWER REQUIREMENTS | +22 to +30 Vdc, +26.5 Vdc (nominal, 45 amps maximum) |
| OPERATIONAL MODES | USB, LSB, CW, SSB secure voice, SSB FSK |
| SPURIOUS SUPPRESSION : INTERMODULATION PRODUCTS HARMONIC ATTENUATION SPURIOUS RADIATION HUM AND NOISE | Third order intermodulation products suppressed more than 30 dB below either of two equal tones producing 400 watts PEP ± 1 dB 35 dB below rated output 60 dB below rated output 40 dB below rated output |

| | |
|----------------------------|--|
| FREQUENCY CONTROL (TUNING) | Six digital inputs from receiver/transmitter |
| WARMUP TIME | 60 seconds ±10 seconds |
| COOLING | Convection and forced air (fan on case exterior) |
| OPERATING TEMPERATURE | -40°C (-40°F) to +55°C (+13 1°F) |
| OPERATIONAL ALTITUDE | Up to 10,000 ft |
| IMMERSION OPERATION | 3 feet in both fresh and salt water for 4 hours |
| SHOCK | 20 g's, 11 msec |
| VIBRATION | 2.5 g's or 1.5 inch double amplitude, 5-55 Hz |

SECTION 0**GENERAL**

0-1. SCOPE. This manual covers Power Amplifier AM-6545A/GRC-193A. This manual provides instructions for general support maintenance. Throughout this manual AM-6545/GRC-193 should be AM-6545/GRC-193A.

0-2. CONSOLIDATED INDEX OF ARMY PUBLICATIONS AND BLANK FORMS. Refer to the latest issue of DA Pam 310-1 to determine whether there are new editions, changes or additional publications pertaining to the equipment.

0-3. MAINTENANCE FORMS, RECORDS, AND REPORTS

a. Reports of Maintenance and Unsatisfactory Equipment. Department of the Army forms and procedures used for equipment maintenance will be those prescribed by DA Pam 738-750 as contained in Maintenance Management Update.

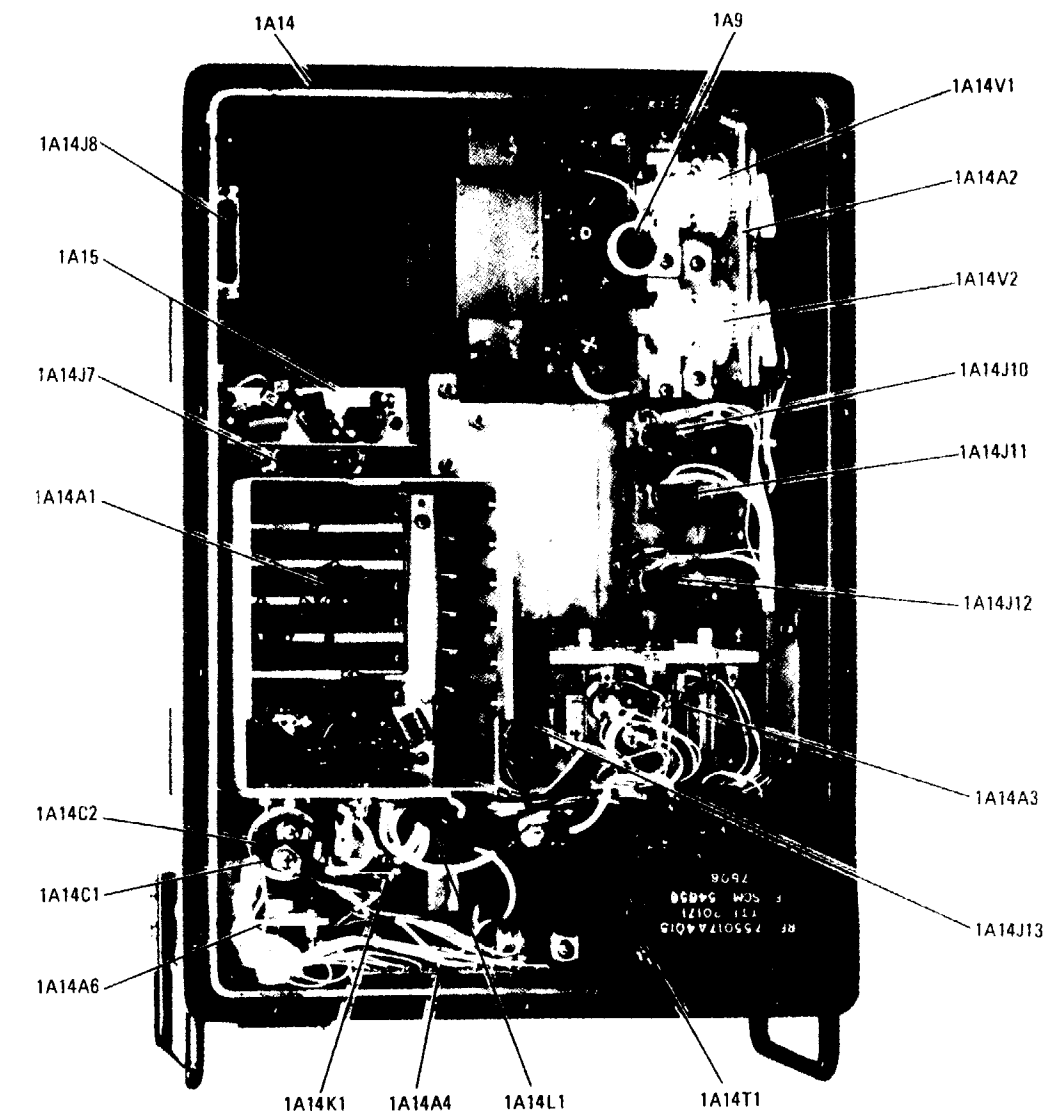
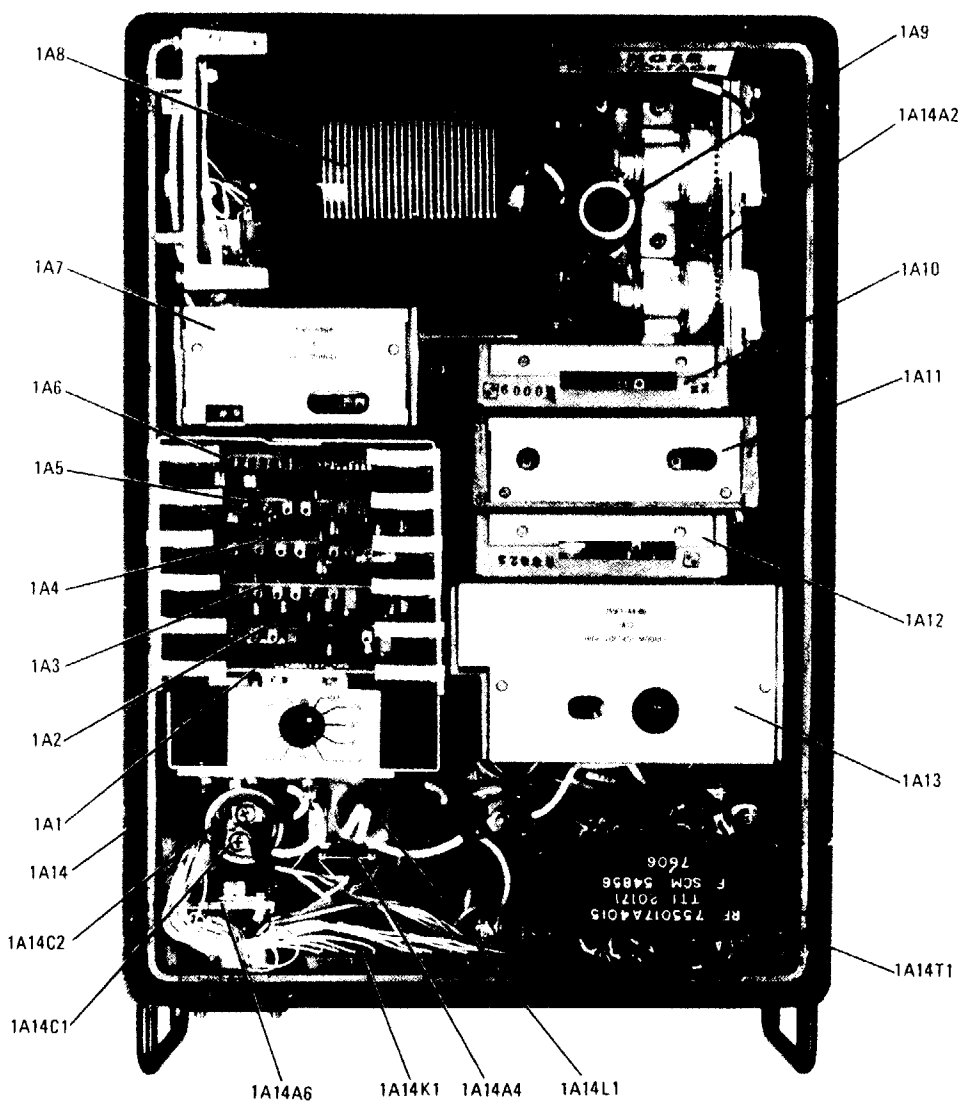
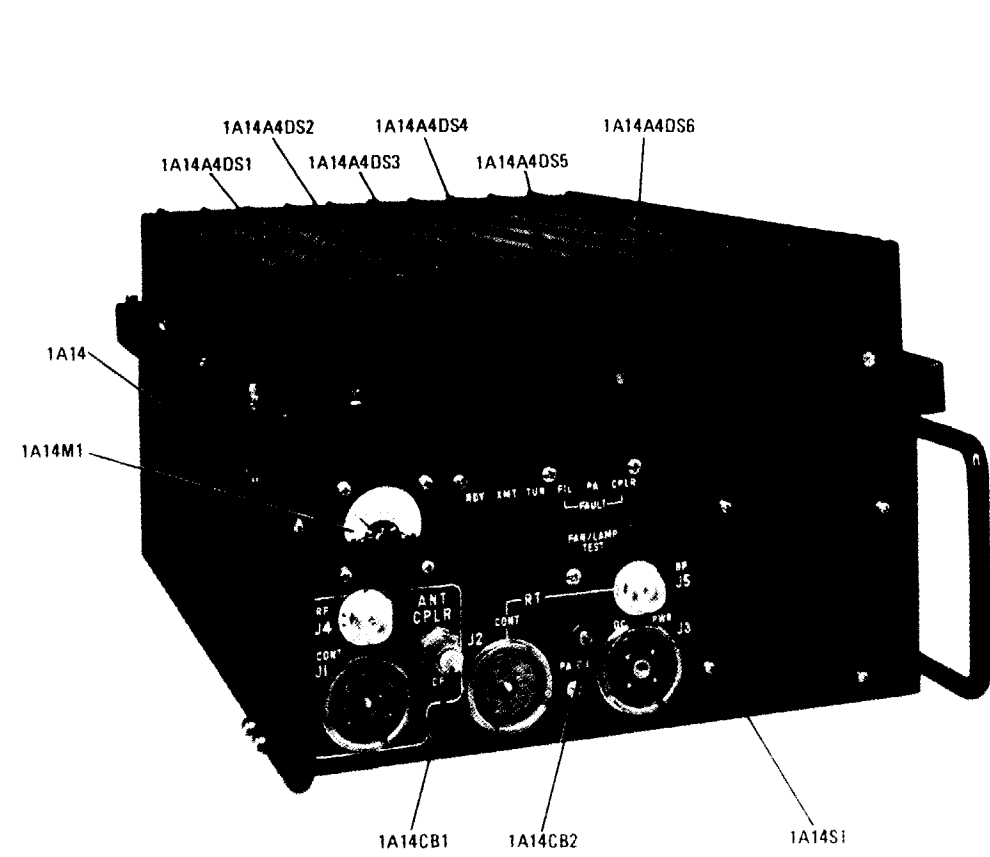
b. Report of Packaging and Handling Deficiencies. Fill out and forward SF 364 (Report of Discrepancy (ROD)) as prescribed in AR 735-11-2/DLAR 4140.55/NAVMATINST 4355.74A/AFR-400-54/MCO 4430.3F.

c. Discrepancy in Shipment Report (DISREP) (SF 361). Fill out and forward Discrepancy in Shipment Report (DISREP) (SF 361) as prescribed in AR 55-38/NAVSUPINST 4610.33 C/AFR 75-18/MCO P4610.19/DLAR 4500.15.

0-4. REPORTING EQUIPMENT IMPROVEMENT RECOMMENDATIONS (EIR). If your Power Amplifier AM-6545A/GRC-193A needs improvement, let us know. Send us an EIR. You, the user, are the only one who can tell us why you don't like the design. Put it on an SF 368 (Quality Deficiency Report). Mail it to Commander, US Army Communications-Electronics Command and Fort Monmouth, ATTN: AMSEL-ME-MP, Fort Monmouth, New Jersey 07703-5007. We'll send you a reply.

0-5. ADMINISTRATIVE STORAGE. Administrative Storage of equipment issued to and used by Army activities will have preventive maintenance performed in accordance with the PMCS charts before storing. When removing the equipment from administrative storage the PMCS should be performed to assure operational readiness. Disassembly and repacking of equipment for shipment or limited storage are covered in TM 740-90-1.

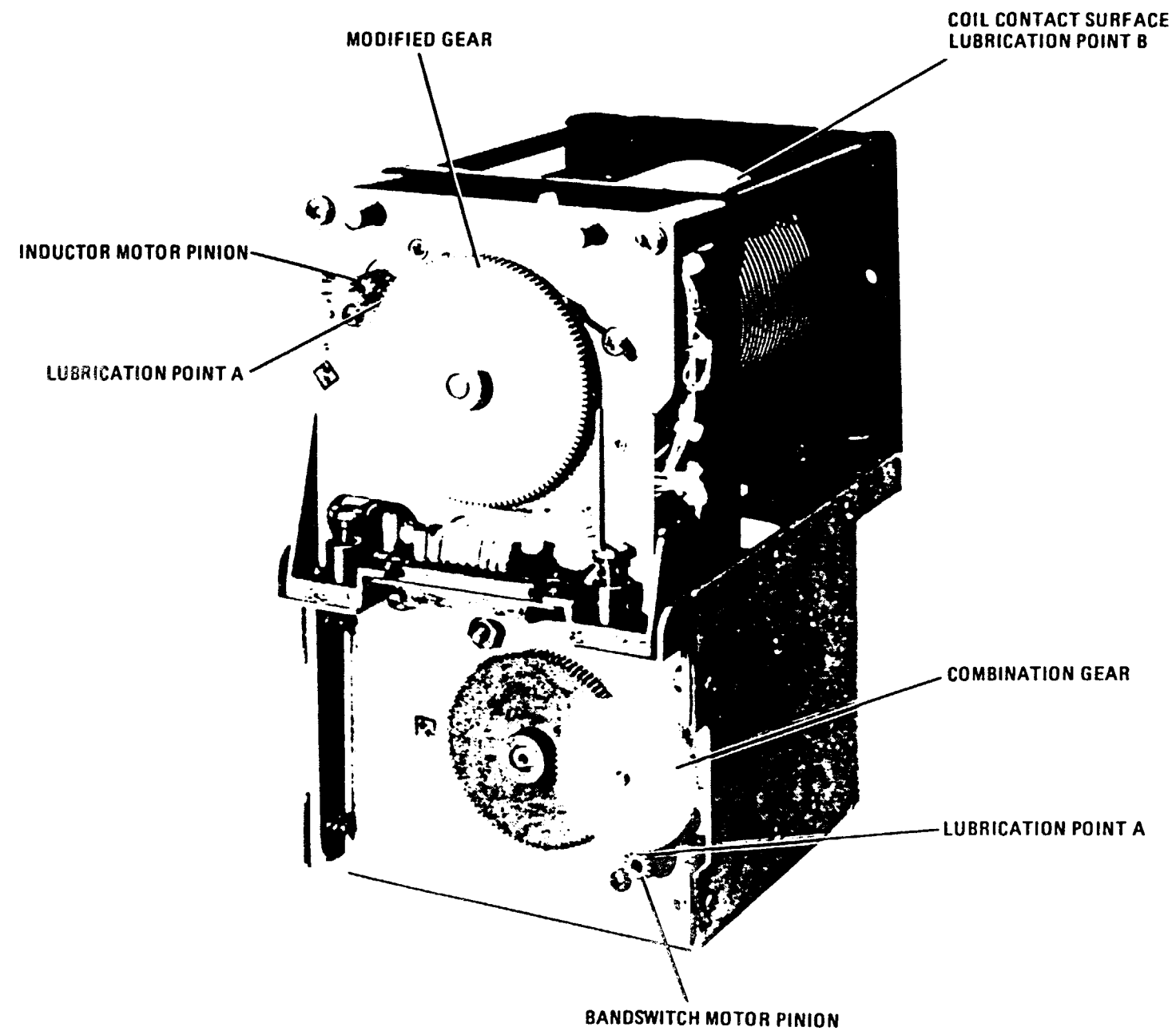
0-6. DESTRUCTION OF ARMY ELECTRONICS MATERIEL. Destruction of Army electronics materiel to prevent enemy use shall be in accordance with TM 750-244-2.



LEGEND

| | | | | | | | |
|------|---------------------------|--------|----------------------------------|-----------|--------------------------------|---------|-------------------------------|
| 1A1 | Meter Board PWB Assy | 1A12 | Static Power Inverter Assy | 1A14CB1 | ANT CPLR Circuit Breaker | 1A14J11 | RF Driver Module Connector |
| 1A2 | DC Control PWB Assy | 1A13 | High Voltage Module Assy | 1A14CB2 | PA Circuit Breaker | 1A14J12 | Static PWR Inverter Connector |
| 1A3 | System Control PWB Assy | 1A14 | Case Assy | 1A14A4DS1 | Ready Indicator (RDY) | 1A14J13 | HV Module Connector |
| 1A4 | Tune Control PWB Assy | 1A14A1 | Interconnection PCB Assy | 1A14A4DS2 | Transmit Indicator (XMT) | 1A14K1 | Power On Relay |
| 1A5 | Servo Amplifier PWB Assy | 1A14A2 | Tube Socket Assy | 1A14A4DS3 | Tune Indicator (TUN) | 1A14L1 | Inductor |
| 1A6 | Band Control PWB Assy | 1A14A3 | DC-DC Converter Assy | 1A14A4DS4 | Filament Fault Indicator (FIL) | 1A14M1 | Meter |
| 1A7 | ALC Module Assy | 1A14A4 | Indicator Assy | 1A14A4DS5 | PA Fault Indicator (PA) | 1A14S1 | Fan/Lamp Test Switch |
| 1A8 | Tank Circuit Module Assy | 1A14A5 | Junction Block PWB Assy (Hidden) | 1A14A4DS6 | Coupler Fault Indicator (CPLR) | 1A14T1 | Transformer |
| 1A9 | Plate Assy | 1A14A6 | Regulator Assy | 1A14J7 | ALC Module Connector | 1A14V1 | Power Amplifier Tube |
| 1A10 | Tune Detector Module Assy | 1A14C1 | Capacitor | 1A14J8 | Tank Circuit Module Connector | 1A14V2 | Power Amplifier Tube |
| 1A11 | RF Driver Module Assy | 1A14C2 | Capacitor | 1A14J10 | Tune Detector Module Connector | 1A15 | Harmonic Filter Assy |

Figure 1. Assembly/Component Identification



TANK CIRCUIT MODULE ASSEMBLY 1A8

NOTES

Lubrication of the Gears and Coil contact surfaces is required only during overhaul of the respective units and should not be performed at any other time.

PROCEDURES

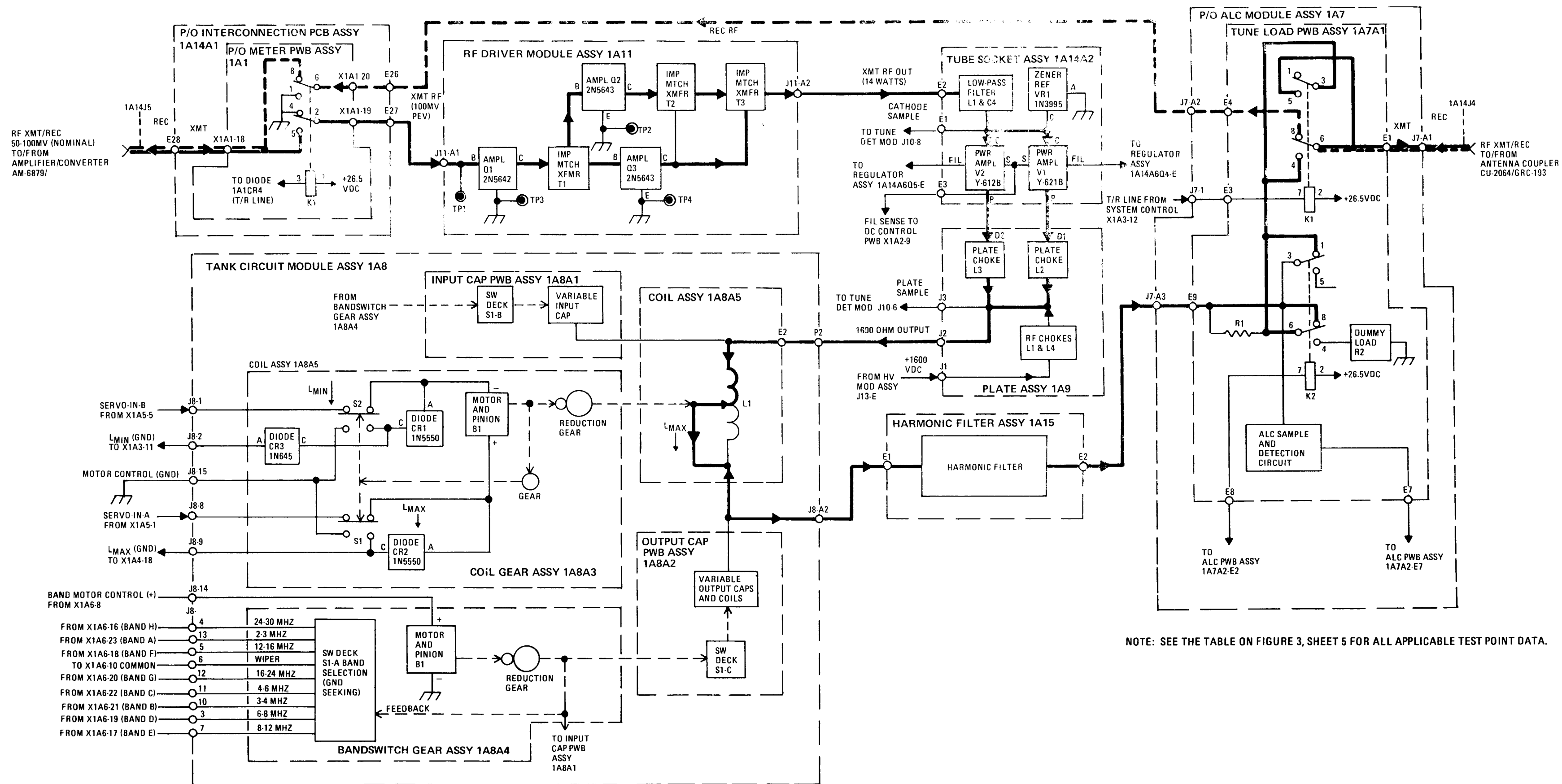
A. GEAR LUBRICATION

- Apply a small amount of Lubriplate grease, RF SPECIFICATION NO. 755017A8241 to the Lubrication points specified in the illustration to the left.
- Remove any excess grease using a lint-free cloth dampened with MEK (Methylethylkeytone) MIL-M-81351.

B. COIL CONTACT SURFACE LUBRICATION

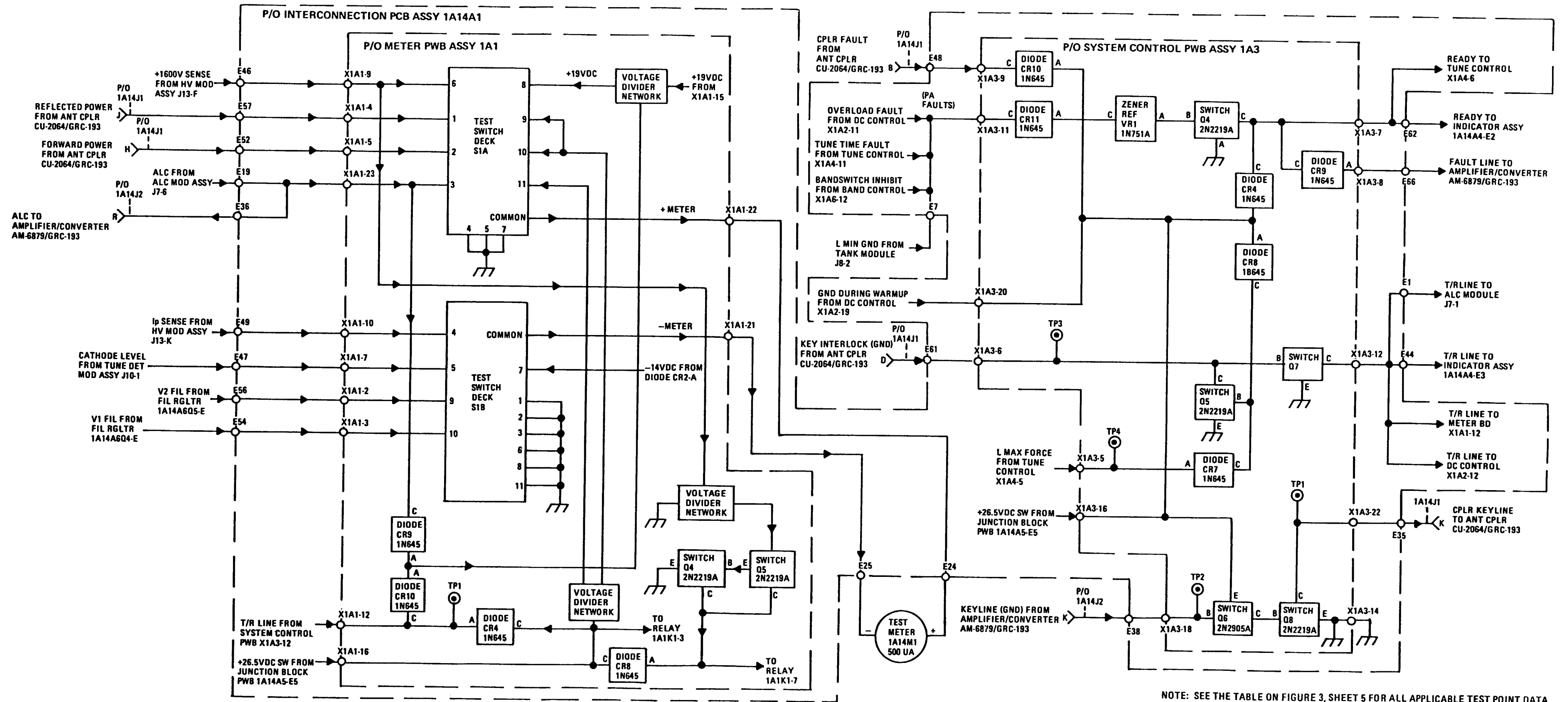
- Mix one part Lubriplate grease, RF SPECIFICATION NO. 755017A8241 and eight parts of Methylethylkeytone (MEK) MIL-M-81351 in a suitable container.
- Using an appropriate device, spray the mixture on all coil contact surfaces.
- Remove any excess lubricant, using a lint-free cloth dampened with Methylethylkeytone (MEK) MIL-M-81351.

Figure 2. Lubrication Instructions



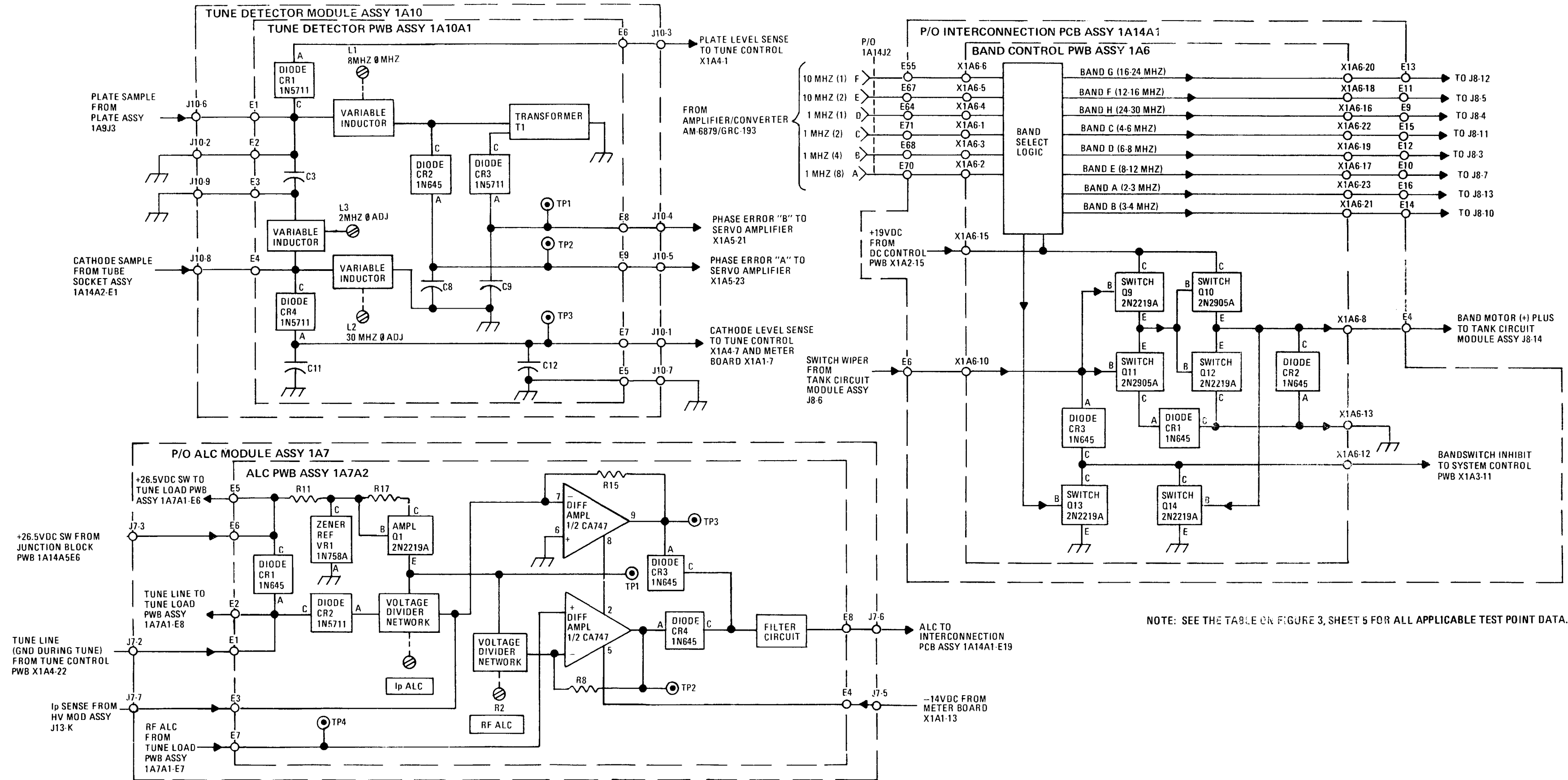
NOTE: SEE THE TABLE ON FIGURE 3, SHEET 5 FOR ALL APPLICABLE TEST POINT DATA.

Figure 3. Servicing Diagram (Sheet 1 of 5)



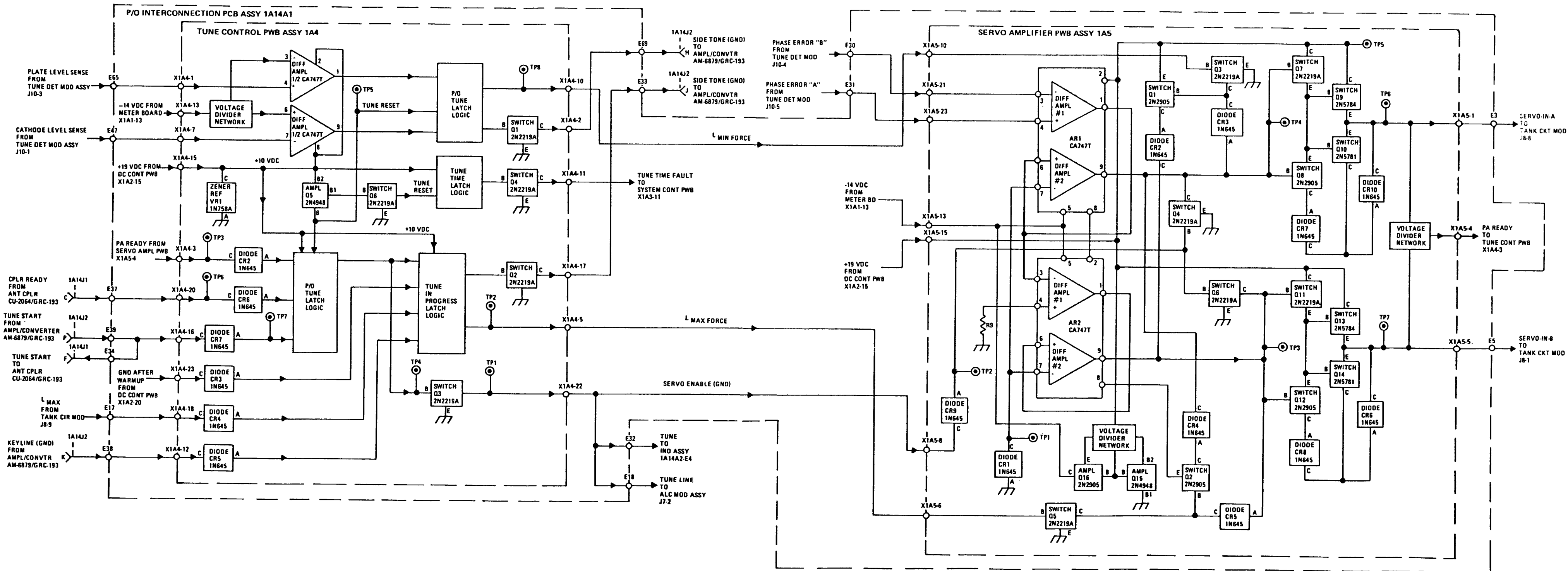
NOTE: SEE THE TABLE ON FIGURE 3, SHEET 5 FOR ALL APPLICABLE TEST POINT DATA.

Figure 3. Servicing Diagram (Sheet 2 of 5)



NOTE: SEE THE TABLE ON FIGURE 3, SHEET 5 FOR ALL APPLICABLE TEST POINT DATA.

Figure 3. Servicing Diagram (Sheet 3 of 5)



NOTE: SEE THE TABLE ON FIGURE 3, SHEET 5 FOR ALL APPLICABLE TEST POINT DATA.

Figure 3. Servicing Diagram (Sheet 4 of 5)

POWER AMPLIFIER AM-6545/GRC-193 TEST POINT/INDICATOR/OPERATION CORRELATION

| Assembly Name | Test Point or Indicator Ref. Desig. | Test Point or Indicator Name | Illustration Location Reference | Receive Mode Indication | Transmit Mode Indication | Tune Mode Indication | | Notes | |
|--------------------------|-------------------------------------|------------------------------|---------------------------------|-------------------------|--------------------------|----------------------|------------------------|---|---|
| | | | | | | L _{MAX} | L _{MIN} | | |
| Meter Board PWB Assy | 1A1TP1 | T/R Line | Figure 3-3 Detail "C" | +26.5 Vdc | +0.1 Vdc | +26.5 Vdc | +0.1 Vdc | +10V all modes during warmup | |
| DC Control PWB Assy | 1A2TP1 | Gnd After Warmup | | +0.1 Vdc | +0.1 Vdc | +0.1 Vdc | +0.1 Vdc | | +10V if filament fault |
| | 1A2TP2 | Fil Fault | | -12 Vdc | -12.5 Vdc | -11 Vdc | -12 Vdc | | |
| | 1A2TP3 | HF ON | | 0 | +1.4 Vdc | 0 | +1.4 Vdc | | |
| | 1A2TP4 | Fil Sense Threshold | | +0.56 Vdc | +0.56 Vdc | +0.56 Vdc | +0.56 Vdc | | |
| System Control PWB Assy | 1A3R3 | Over Voltage Adjustment | | | | | | | +4.7 Vdc ±0.5 Vdc if connected to coupler |
| | 1A3TP1 | Cplr Keyline | | +0.02 Vdc | +0.02 Vdc | +0.02 Vdc | +0.02 Vdc | | |
| | 1A3TP2 | RT Keyline | | +26 Vdc | +1.4 Vdc | +26 Vdc | +1.4 Vdc | | |
| | 1A3TP3 | Key Interlock | | 0 | +3.8 Vdc | 0 | +3.8 Vdc | | |
| | 1A3TP4 | L _{MAX} Force | | 0 | 0 | +9.8 Vdc | 0 | | |
| | 1A3TP5 | PA ON | | +5 Vdc | +5 Vdc | +5 Vdc | +5 Vdc | | |
| Tune Control PWB Assy | 1A3TP6 | Over Temp | | +1.45 Vdc | +1.45 Vdc | +1.45 Vdc | +1.45 Vdc | | |
| | 1A4TP1 | Tune | | +26.5 Vdc | +25.5 Vdc | +0.18 Vdc | +0.18 Vdc | | |
| | 1A4TP2 | L _{MAX} Force | | 0 | 0 | +9.2 Vdc | 0 | | |
| | 1A4TP3 | PA Ready | | +0.15 Vdc | +0.15 Vdc | +5.8 Vdc | +5.2 Vdc | | |
| | 1A4TP4 | Tune Enable | | 0 | 0 | +9 Vdc | +9 Vdc | | |
| | 1A4TP5 | Tune Time Latch | | 0 | 0 | 0 | +9 Vdc | | |
| | 1A4TP6 | Cplr Ready | | 0 | 0 | 0 | 0 | | |
| | 1A4TP7 | Tune Start | | +10 Vdc | +10 Vdc | +9.5 Vdc | +9 Vdc | +0.6V when tune button pressed | |
| Servo Amplifier PWB Assy | 1A4TP8 | L _{MIN} Force | | 0 | 0 | 0 | +9 to 0 | AR1 & AR2 pin 7 | |
| | 1A5TP1 | Servo Bias | | +12 Vdc | +12 Vdc | +12 Vdc | +12 Vdc | Sawtooth 6 msec long | |
| | 1A5TP2 | Servo Enable | | +6.1 Vdc | +6.3 Vdc | +0.81 Vdc | +0.81 Vdc | | |
| | 1A5TP3 | Output "B" Enable | | -1.14 Vdc | -1.20 Vdc | -1.14 Vdc | +18 Vdc | Input to 1A5Q11 & Q12 bases (L _{MIN}) | |
| | 1A5TP4 | Output "A" Enable | | -1.1 Vdc | +0.1 Vdc | +18.5 Vdc | -1.2 Vdc | Input to 1A5Q7 & Q8 bases (L _{MAX}) | |
| | 1A5TP5 | +19 Vdc | | +19.5 Vdc | +19.5 Vdc | +19.5 Vdc | +19.5 Vdc | 1A5P1-15 | |
| | 1A5TP6 | Output "A" | | 0 | 0 | +26 Vdc | +0.3 Vdc | L _{MAX} drive | |
| 1A5TP7 | Output "B" | 0 | | 0 | +0.2 Vdc | +18 Vdc | L _{MIN} drive | | |

| Assembly Name | Test Point or Indicator Ref. Desig. | Test Point or Indicator Name | Illustration Location Reference | Receive Mode Indication | Transmit Mode Indication | Tune Mode Indication | | Notes | |
|----------------------------|-------------------------------------|------------------------------|---------------------------------|-------------------------|--------------------------|----------------------|--------------------|--------|--------------------|
| | | | | | | L _{MAX} | L _{MIN} | | |
| ALC Module Assy | 1A7A2TP1 | Regulated 9.3V | Figure 3-3 Detail "B" | +8.7 Vdc | +8.7 Vdc | +8.7 Vdc | +8.7 Vdc | RF ALC | |
| | 1A7A2TP2 | 1A7A2AR1 Pin 1 | | -11.5 Vdc | +1.6 Vdc | -11 Vdc | -11.5 Vdc | | I _p ALC |
| | 1A7A2TP3 | 1A7A2AR1 Pin 9 | | -11.5 Vdc | +1.5 Vdc | -11 Vdc | +2.0 Vdc | | |
| | 1A7A2TP4 | Det. RF Level | | 0 | +6.7 Vdc | 0 | 0 to +5 Vdc | | |
| Tune Detector Module Assy | 1A10A1TP1 | Error Output B | | 0 | -2.6 Vdc | 0 | -1.4 Vdc | 0 Vdc | |
| | 1A10A1TP2 | Error Output A | | 0 | -2.4 Vdc | 0 | -1.4 Vdc | | |
| | 1A10A1TP3 | Cathode Level | | 0 | -3.5 Vdc | 0 | -2.2 Vdc | | |
| | 1A10A1TP4 | Plate Level | | 0 | -5 Vdc | 0 | -3.5 Vdc | | |
| RF Driver Module Assy | 1A11A1TP1 | RF IN from RT | | 0 Vac | 2.5 Vac PP | 0 Vac | 1.5 Vac PP | 0 Vdc | |
| | 1A11A1TP2 | Second Stage Output | | +0.1 Vdc | +0.5 Vdc | +0.1 Vdc | -0.33 Vds | | |
| | 1A11A1TP3 | First Stage Output | | +0.75 Vdc | +0.75 Vdc | +0.75 Vdc | -0.75 Vdc | | |
| | 1A11A1TP4 | Second Stage Output | | +0.1 Vdc | +0.42 Vdc | +0.1 Vdc | +0.27 Vdc | | |
| Static Power Inverter Assy | 1A12A1TP1 | Inverter Oscillator | 0.02 Vac | 0.02 Vac | 0.02 Vac | 0.02 Vac | 0 Vdc 0 to 1.5 Vac | | |
| | 1A12A1TP2 | Inverter Output | 15 Vac | 15 Vac | 15 Vac | 15 Vac | | | |
| | 1A12A1TP3 | Inverter Output | 15 Vac | 15 Vac | 15 Vac | 15 Vac | | | |
| High Voltage Module Assy | 1A13A1TP1 | 1A13A1T1 Primary | 0 Vac | 4 Vac | 0 Vac | 3.4 Vac | | | |
| | 1A13A1TP2 | I _p SENSE | 0 | -2.9 Vdc | 0 | -2 Vdc | | | |

Figure 3. Servicing Diagram (Sheet 5 of 5)

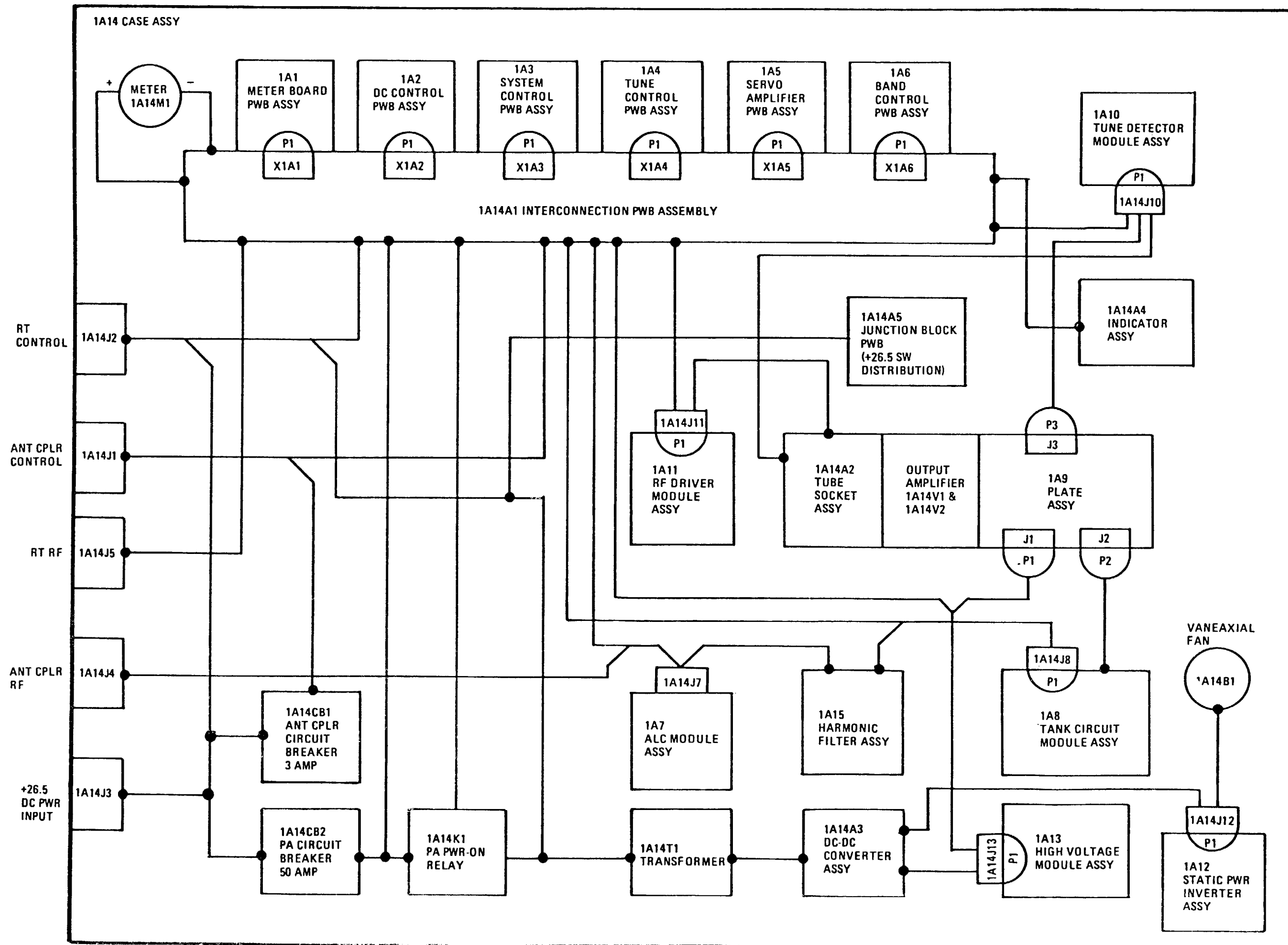


Figure 4. Unit Cabling and Connector Diagram

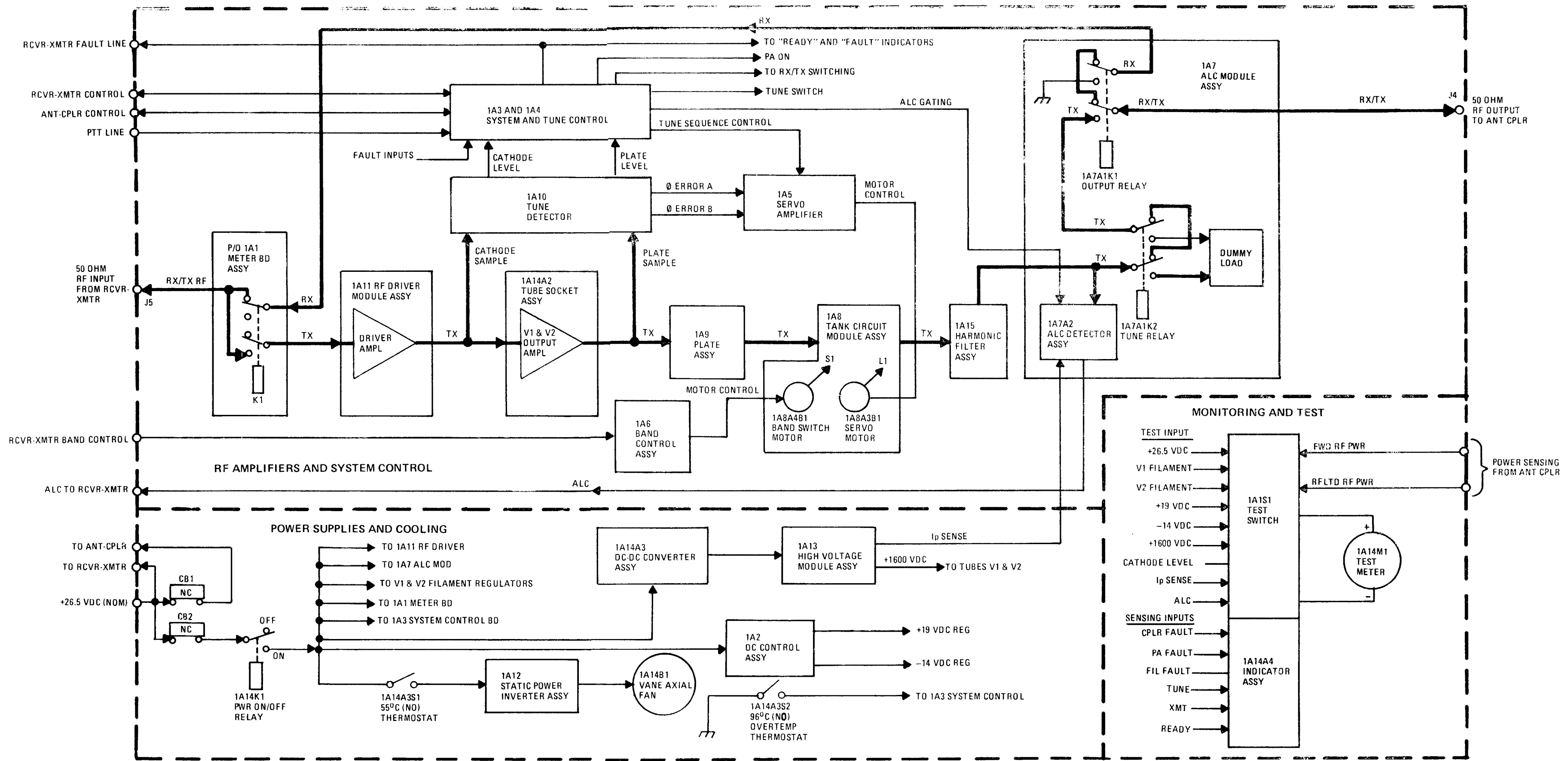
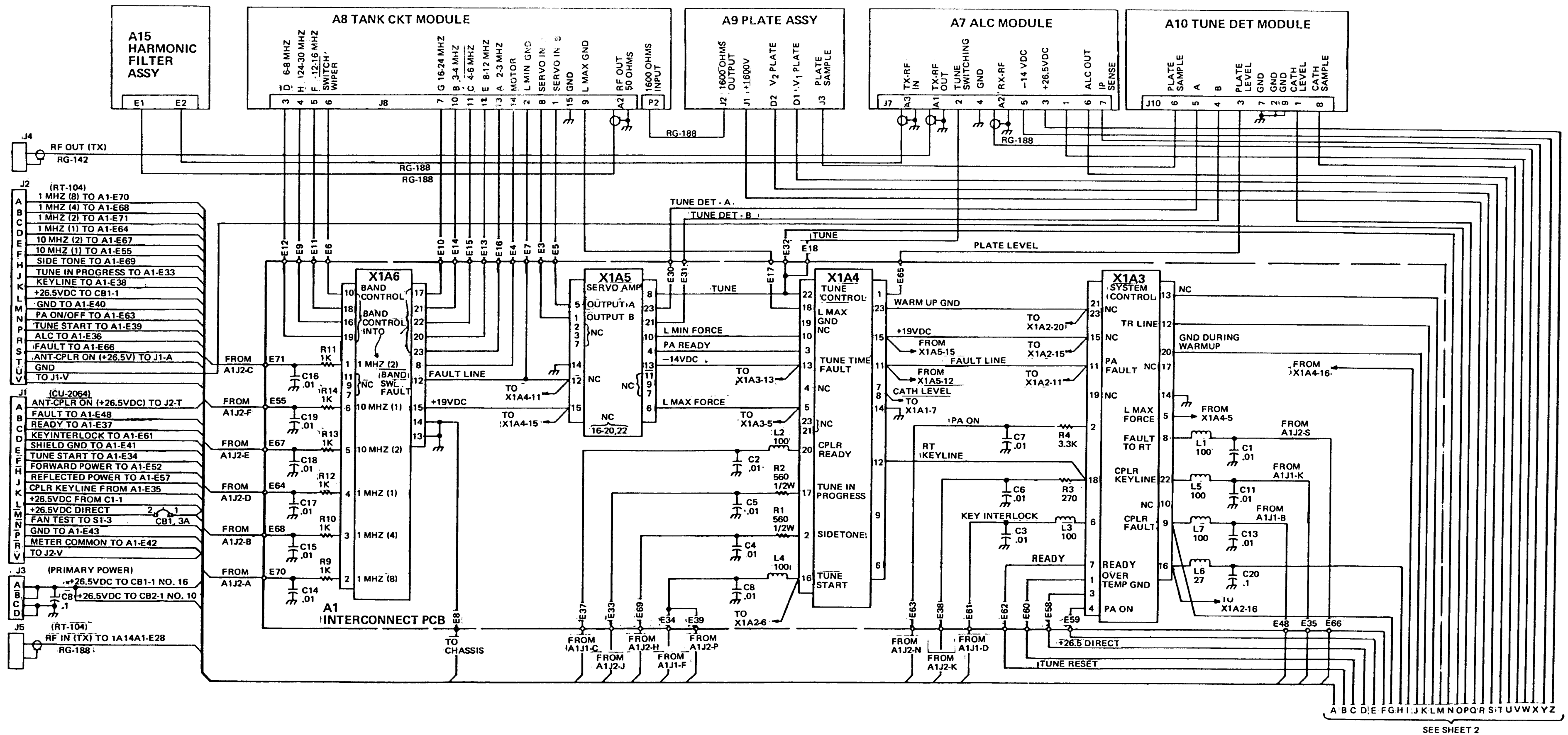


Figure 5. Overall Functional Interconnection Diagram



SEE SHEET 2

Figure 6. Case Assembly 1A14 Interconnection Diagram (Sheet 1 of 2)

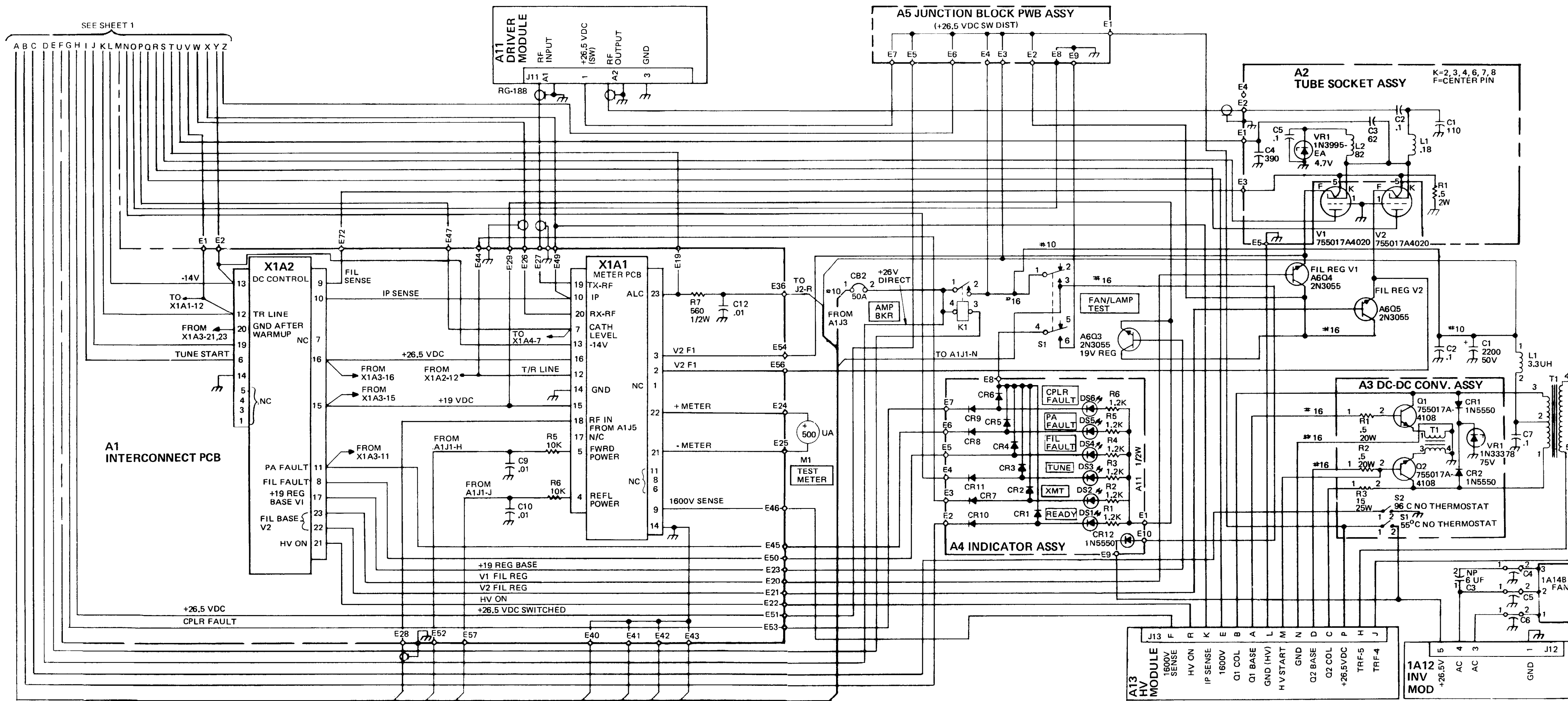
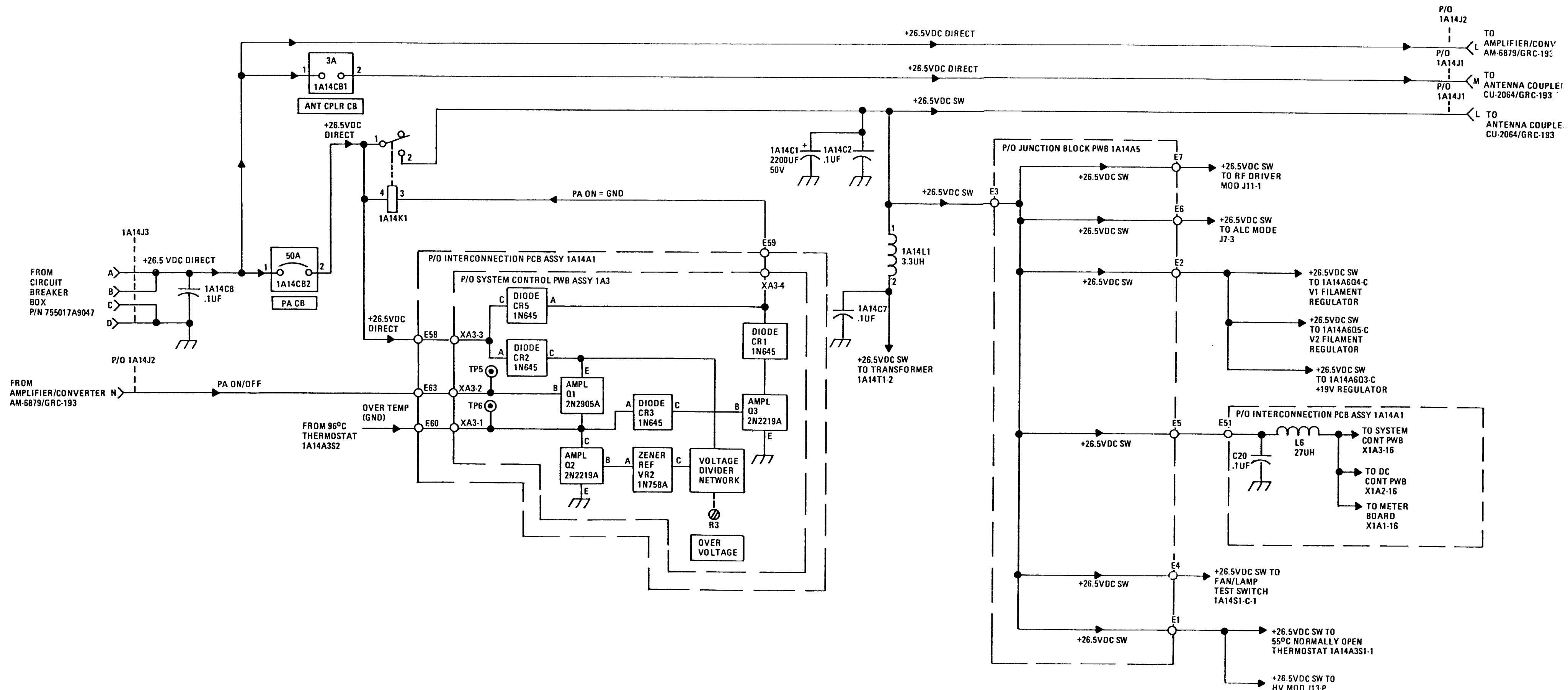
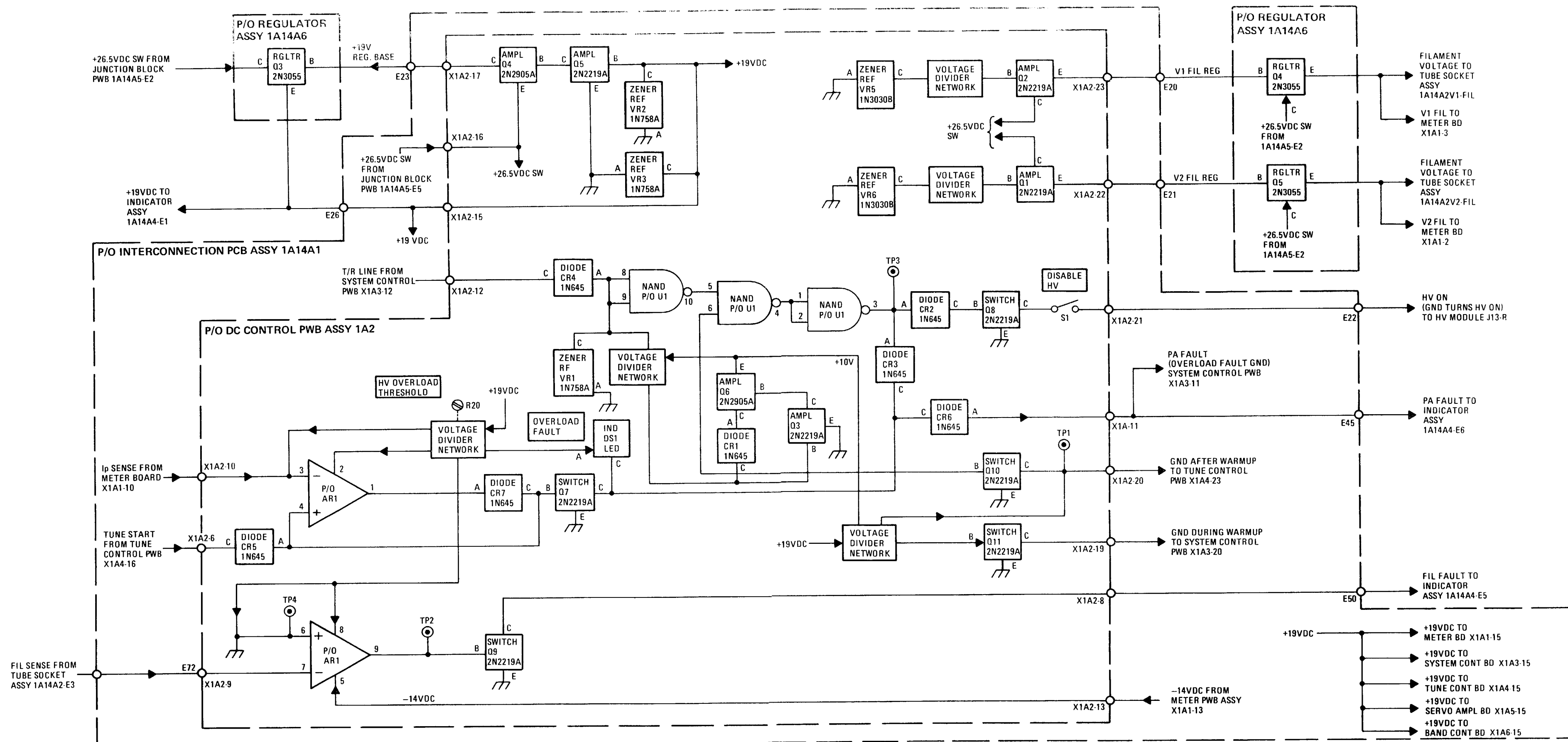


Figure 6. Case Assembly 1A14 Interconnection Diagram (Sheet 2 of 2)



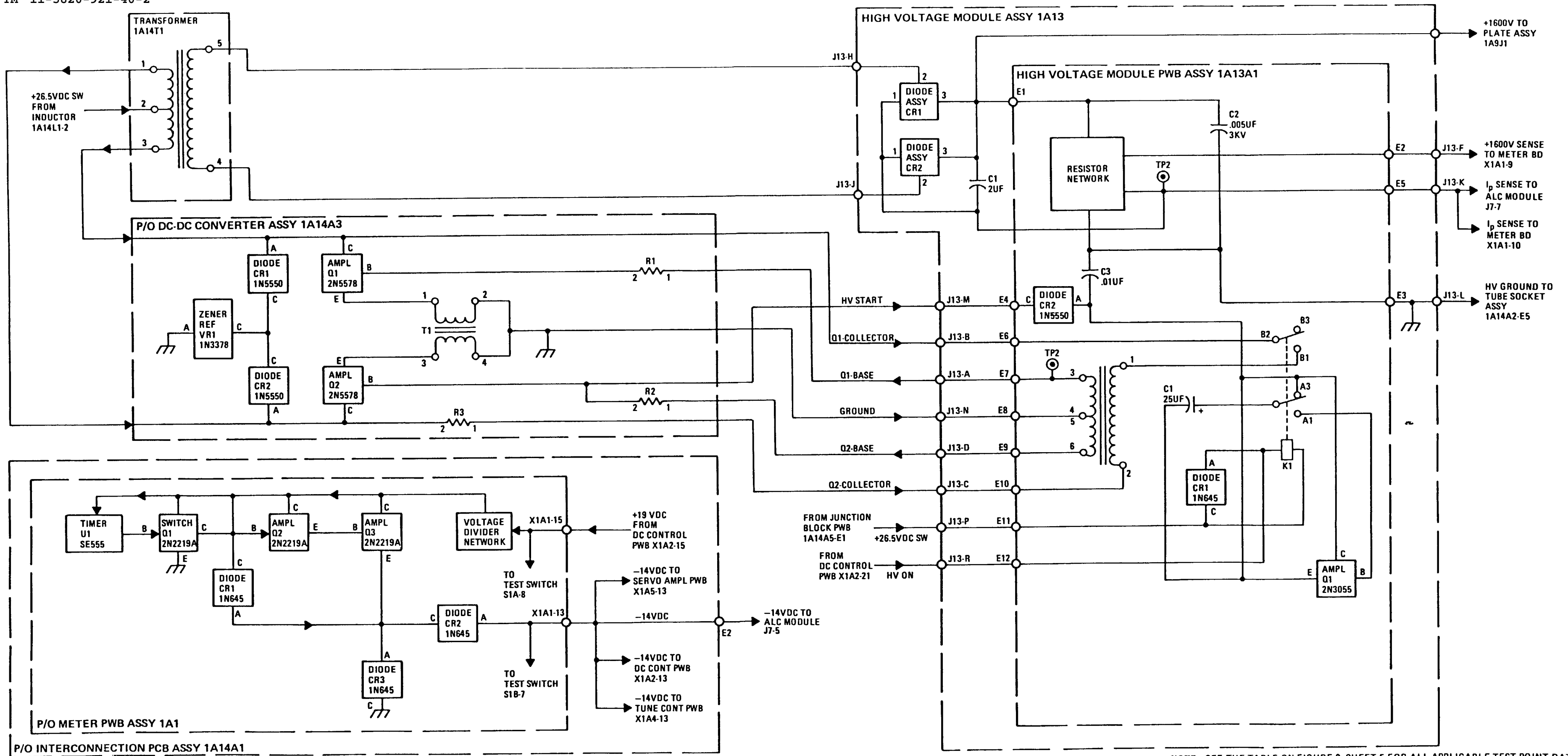
NOTE: SEE THE TABLE ON FIGURE 3, SHEET 5 FOR ALL APPLICABLE TEST POINT DATA.

Figure 7. Power Distribution and DC Control Diagram (Sheet 1 of 3)



NOTE: SEE THE TABLE ON FIGURE 3, SHEET 5 FOR ALL APPLICABLE TEST POINT DATA.

Figure 7. Power Distribution and DC Control Diagram (Sheet 2 of 3)



NOTE: SEE THE TABLE ON FIGURE 3, SHEET 5 FOR ALL APPLICABLE TEST POINT DATA.

Figure 7. Power Distribution and DC Control Diagram (Sheet 3 of 3)

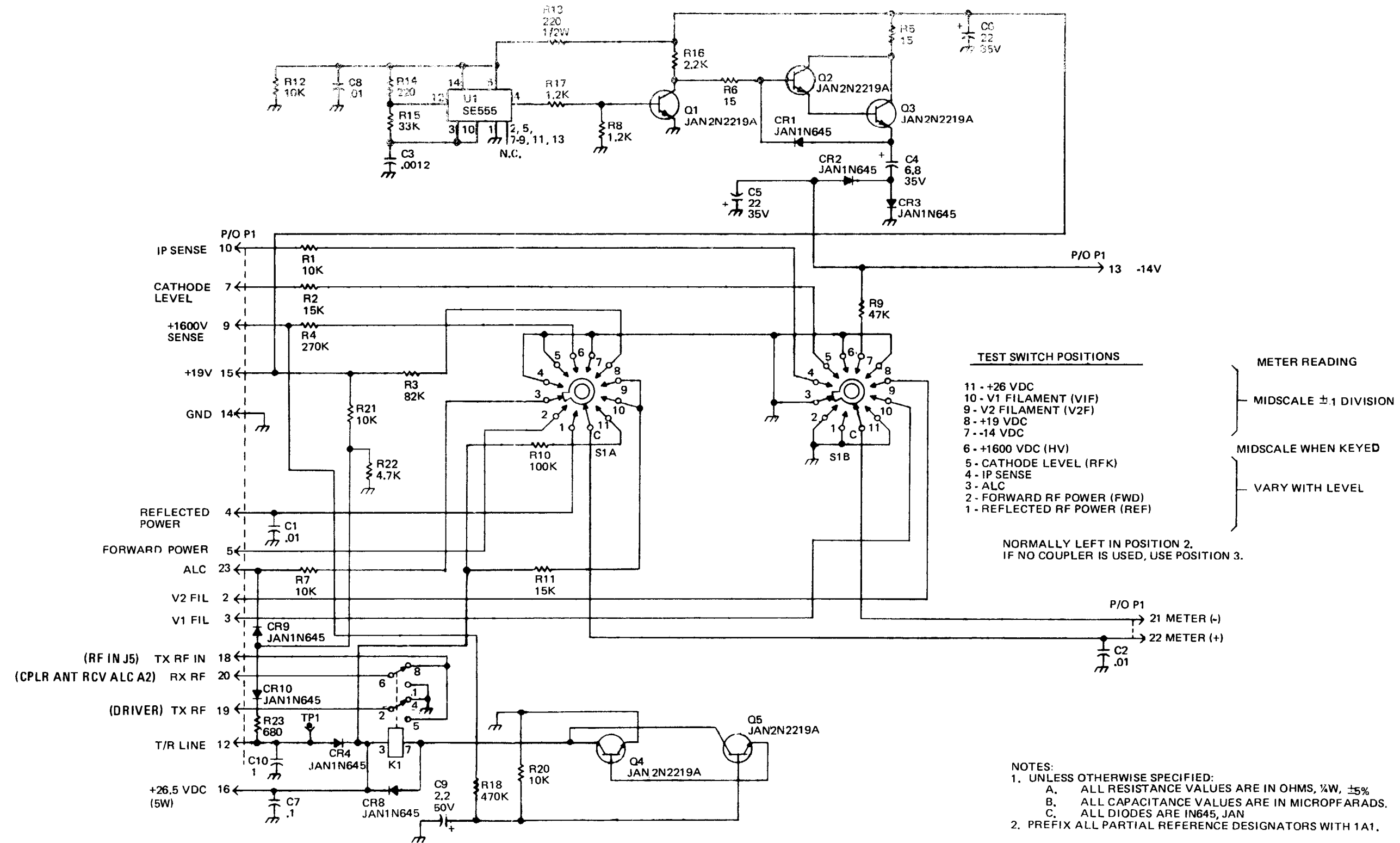
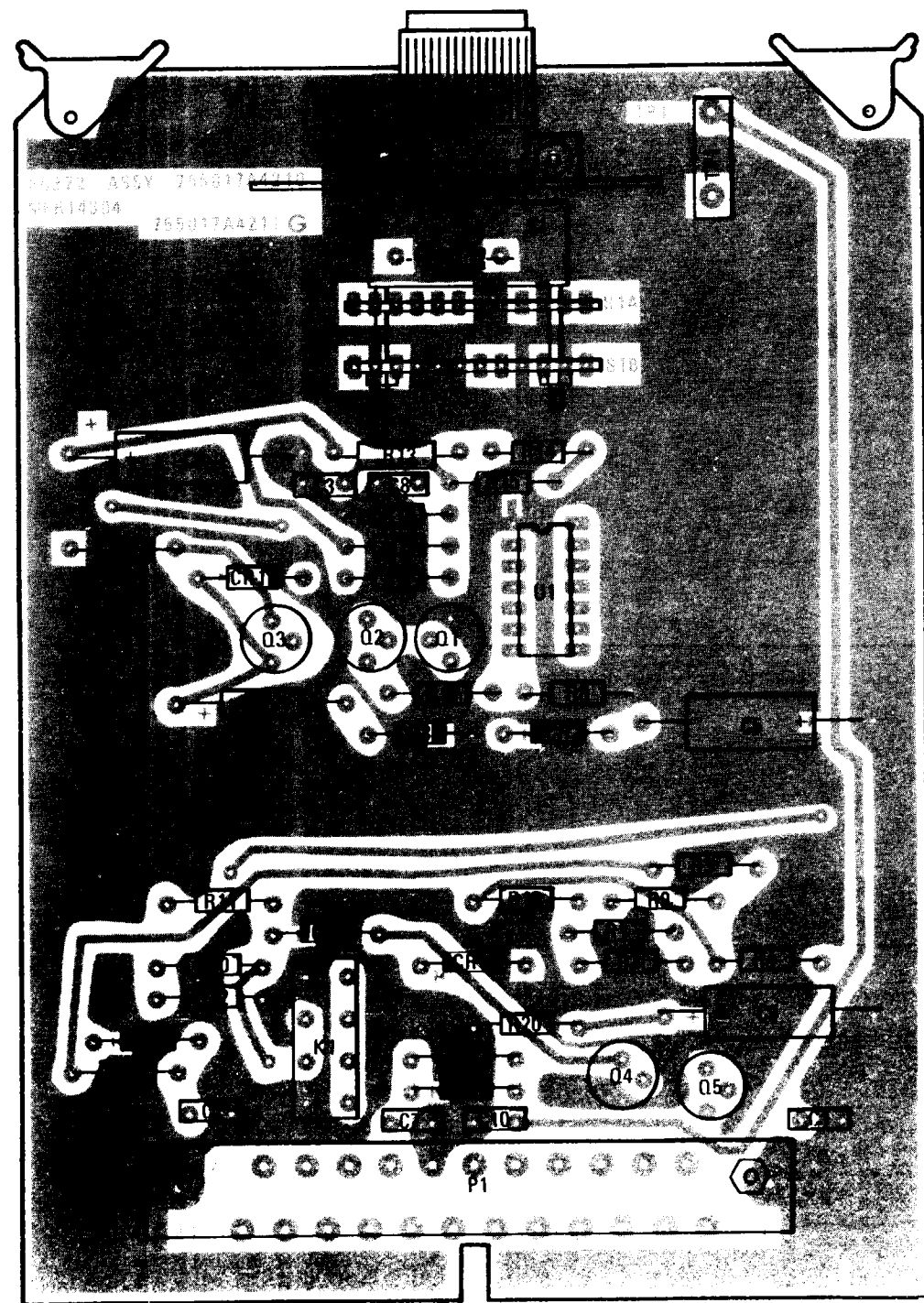
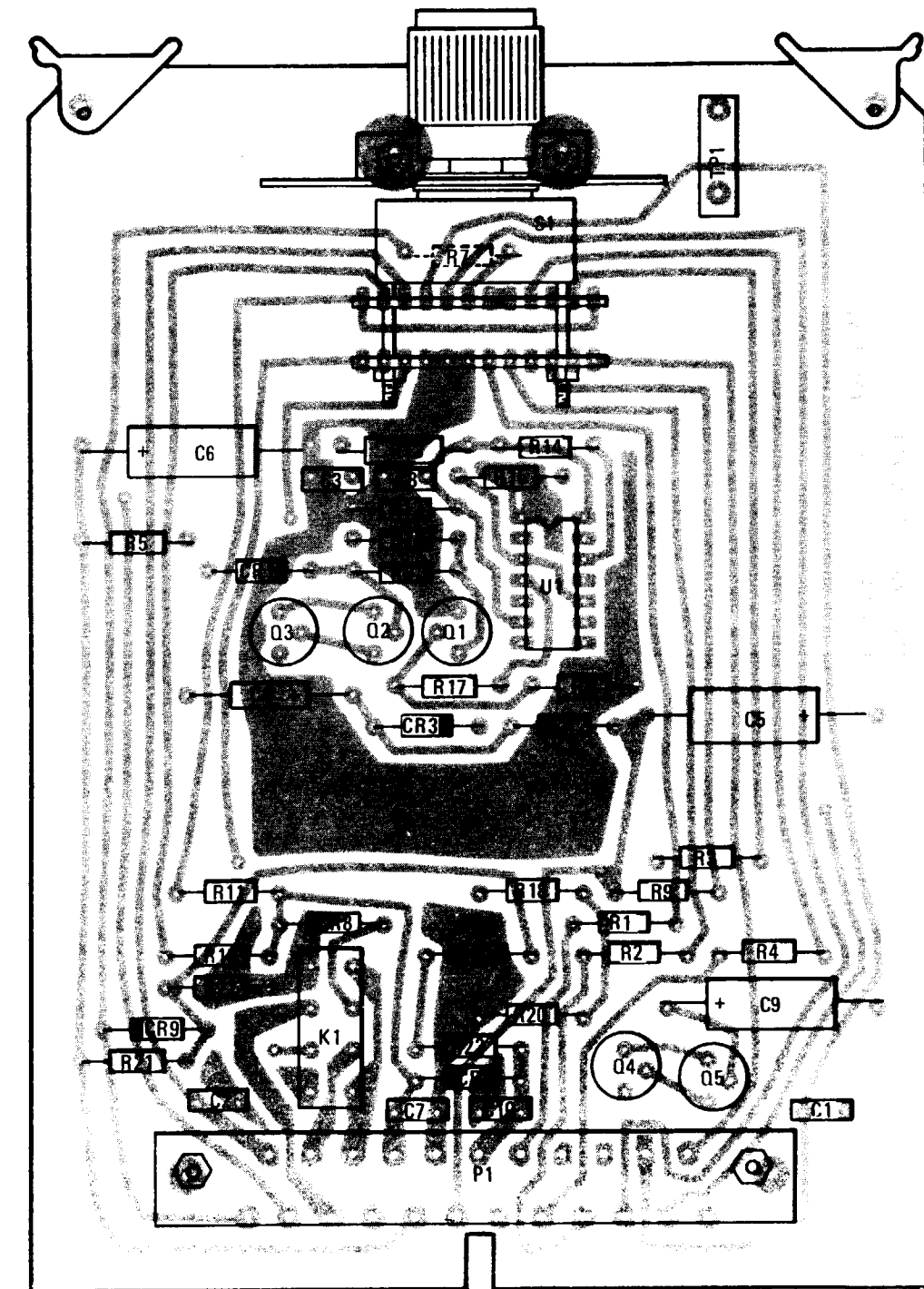


Figure 8. Meter Board PWB Assembly 1A1, PN 755017A4210 (Sheet 1 of 2)



NOTE: PREFIX ALL REFERENCE DESIGNATORS WITH 1A1
 COMPONENT SIDE

| Ref. Desig. | Name |
|-------------|----------------------------|
| C | Capacitor |
| CR | Diode Semiconductor Device |
| K | Relay |
| P | Plug (Connector) |
| Q | Transistor |
| R | Resistor |
| S | Switch |
| TP | Test Point |
| U | Integrated Circuit |



NOTE: PREFIX ALL REFERENCE DESIGNATORS WITH 1A1
 TRACK SIDE OR RUN SIDE

Figure 8. Meter Board PWB 1A1, PN 755017A4210 (Sheet 2 of 2)

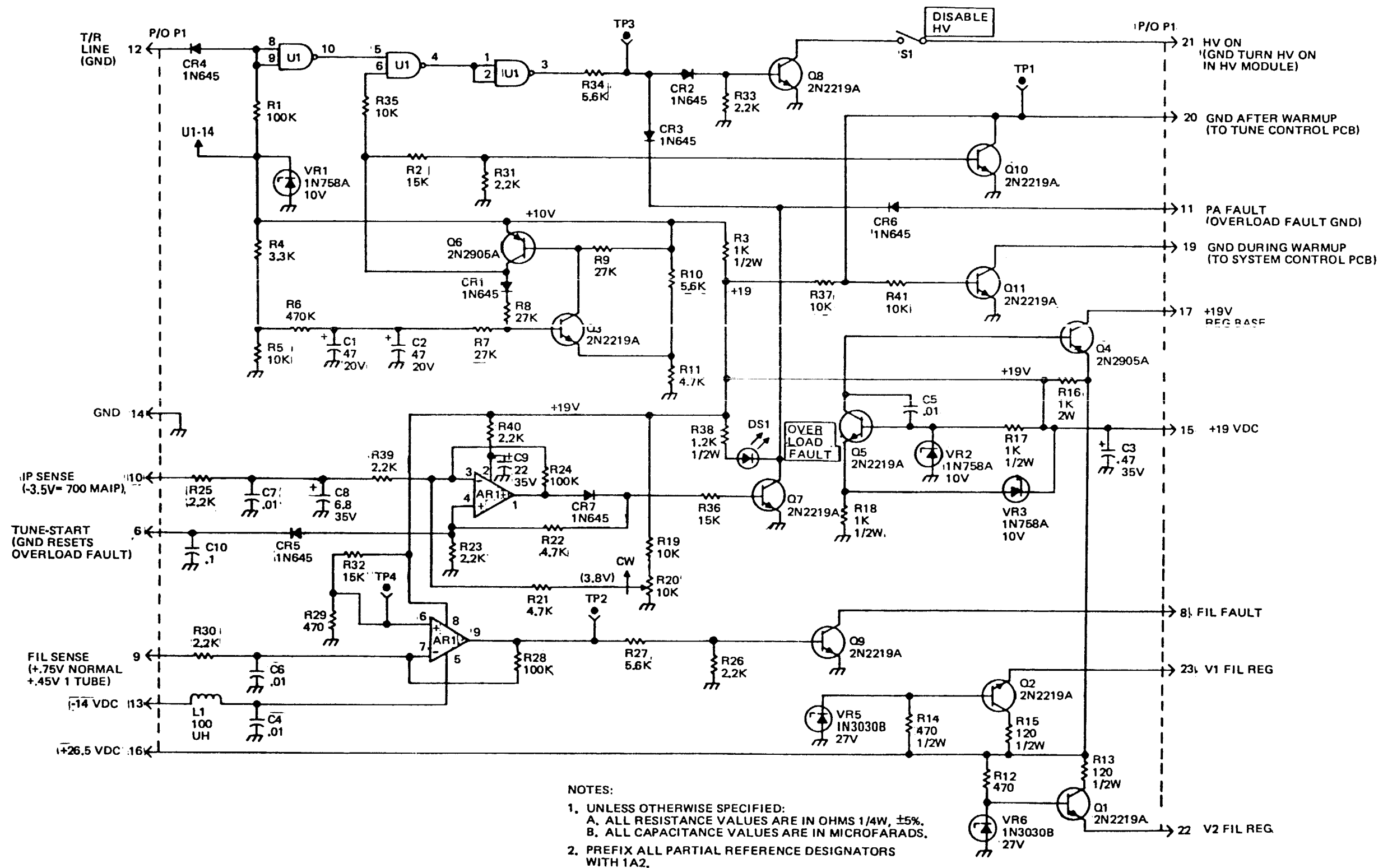
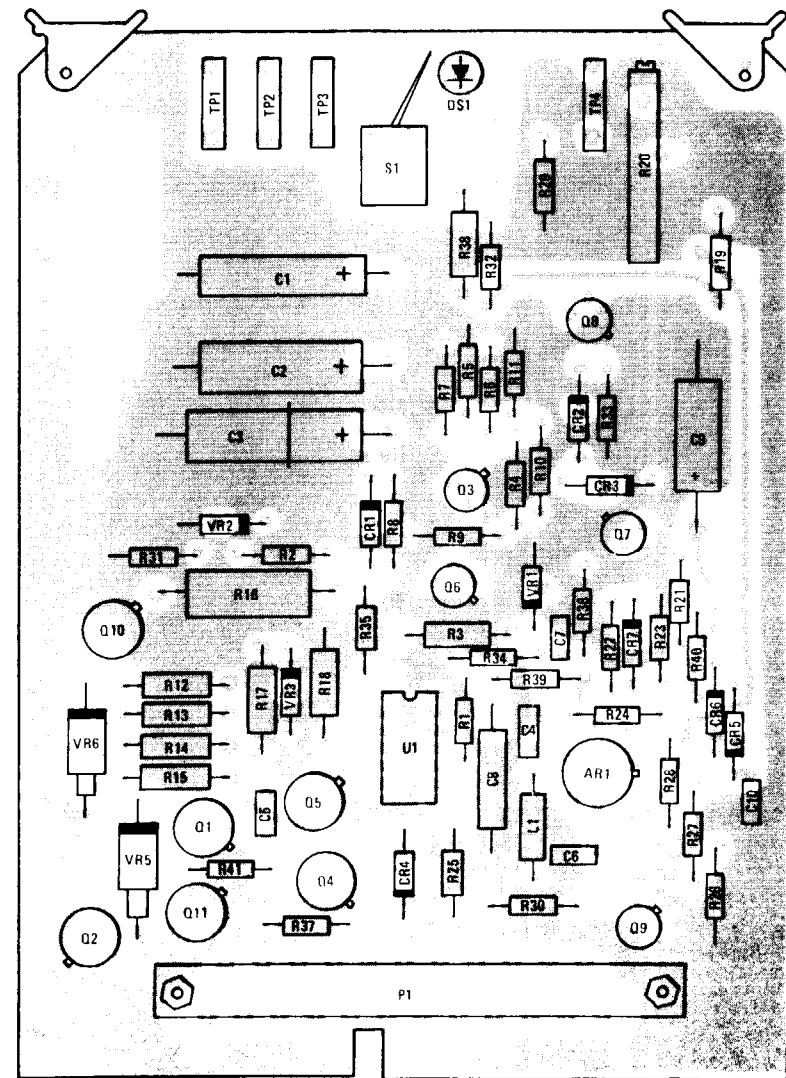
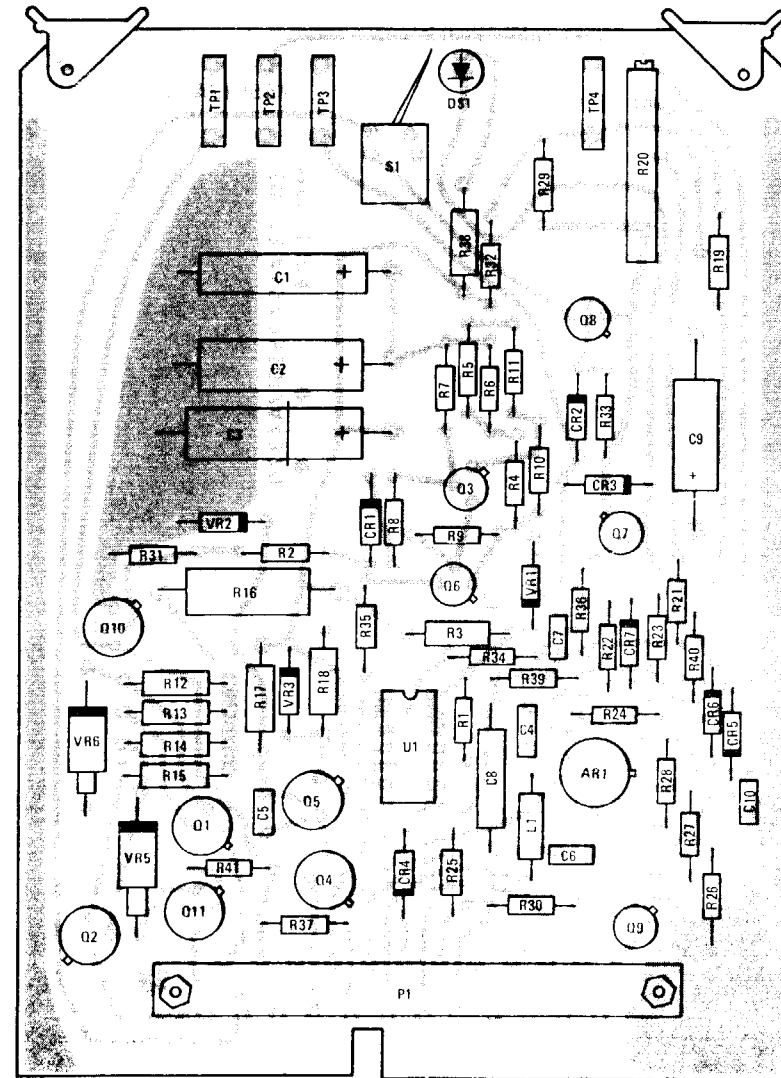


Figure 9. DC Control PWB 1A2, PN 755017A4220 (Sheet 1 of 2)



COMPONENT SIDE



TRACK SIDE OR RUN SIDE

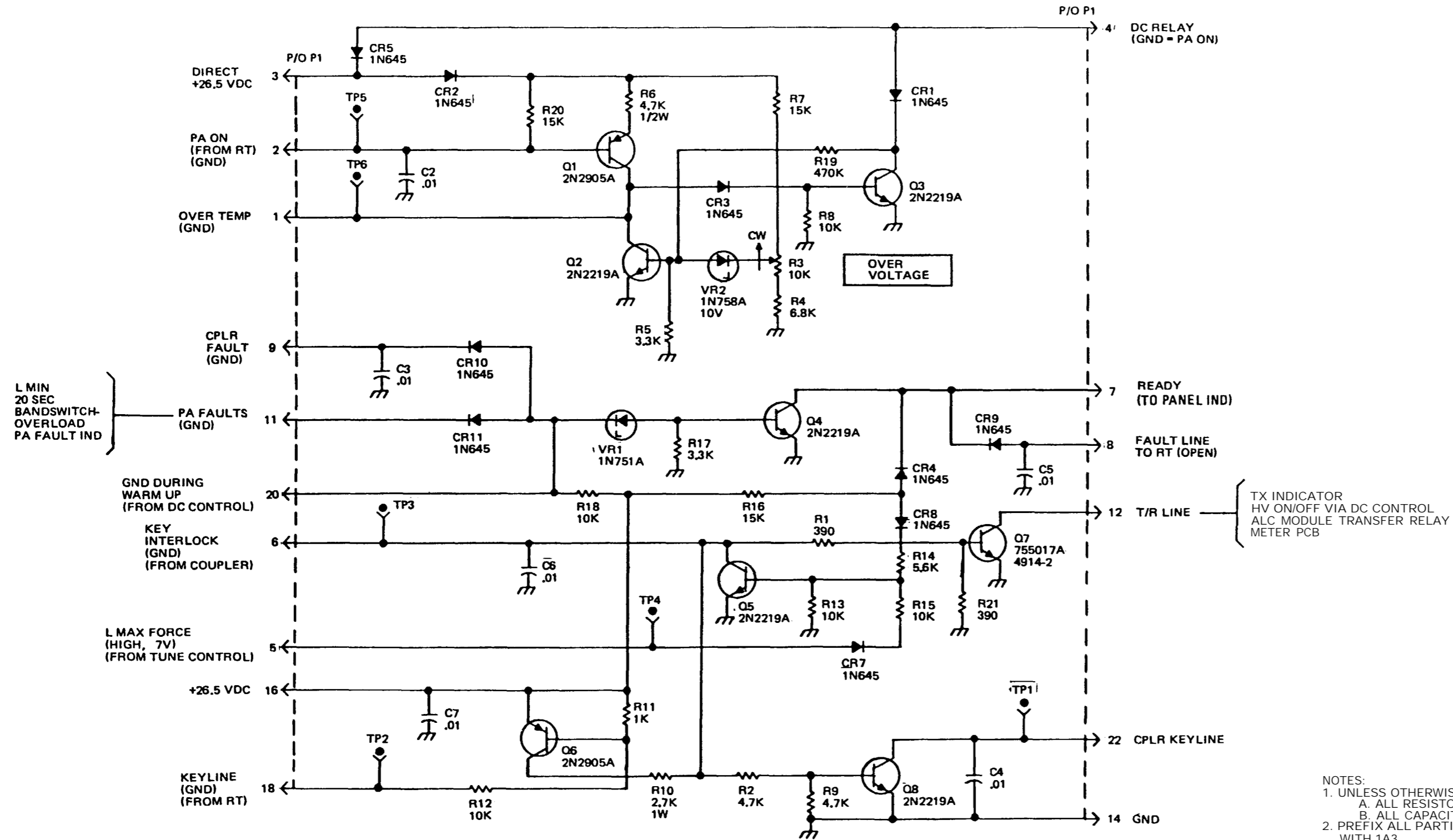
NOTE: PREFIX ALL REFERENCE DESIGNATORS WITH 1A2

| Ref. Desig. | Name |
|-------------|----------------------------|
| AR | Amplifier |
| C | Capacitor |
| CR | Diode Semiconductor Device |
| DS | Lamp |
| L | Inductor |
| P | Plug (Connector) |
| Q | Transistor |
| R | Resistor |
| S | Switch |
| TP | Test Point |
| U | Integrated Circuit |
| VR | Voltage Regulator |

HIGH VOLTAGE OVERLOAD THRESHOLD ALIGNMENT

| STEP NO. | TEST EQUIPMENT | TEST POINT | ADJUSTMENT | REMARKS |
|----------|---|--------------------------------|------------|---|
| 1 | TOGGLE SWITCH NO. 1 | | | CONNECT A TOGGLE SWITCH BETWEEN GND AND 1A2P1-6 |
| 2 | POWER SUPPLY NO. 1 | | | CONNECT -3.5V AT 700mA TO 1A2P1-10 |
| 3 | POWER SUPPLY NO. 2 | | | CONNECT -14VDC TO 1A2P1-13 |
| 4 | POWER SUPPLY NO. 3 | | | CONNECT +19VDC TO 1A2P1-15 |
| 5 | TOGGLE SWITCH NO. 2 | | | CONNECT A TOGGLE SWITCH BETWEEN GND AND 1A2P1-12 |
| 6 | 2 EA RESISTORS 1.2K 1 EA LED's PN755017A3011-3 AND PN755017A3001-1 | | | CONNECT LED (+) AND ONE RESISTOR IN SERIES BETWEEN 1A2P1-21 AND +19VDC. CONNECT LED (-3) AND ONE RESISTOR BETWEEN 1A2P1-11 AND +19VDC. |
| 7 | | | 1A2R20 | HV OVERLOAD THRESHOLD POTENTIOMETER FCW. |
| 8 | | LED (-1) | | CLOSE TOGGLE SWITCH NO. 2 LED (-1) SHOULD ILLUMINATE |
| 9 | | 1A2DS1 LED (-3) LED (-1) | 1A2R20 | ADJUST 1A2R20 CCW UNTIL OVERLOAD FAULT 1A2DS1 AND LED (-3) ILLUMINATE. LED (-1) SHOULD EXTINGUISH. |
| 10 | | 1A2DS1 LED (-3) LED (-1) | | CLOSE TOGGLE SWITCH NO. 1. BOTH 1A2DS1 AND LED (-3) SHOULD EXTINGUISH AND LED (-1) SHOULD ILLUMINATE. DISCONNECT TEST EQUIPMENT. |

Figure 9. DC Control PWB 1A2, PN 755017A4220 (Sheet 2 of 2)



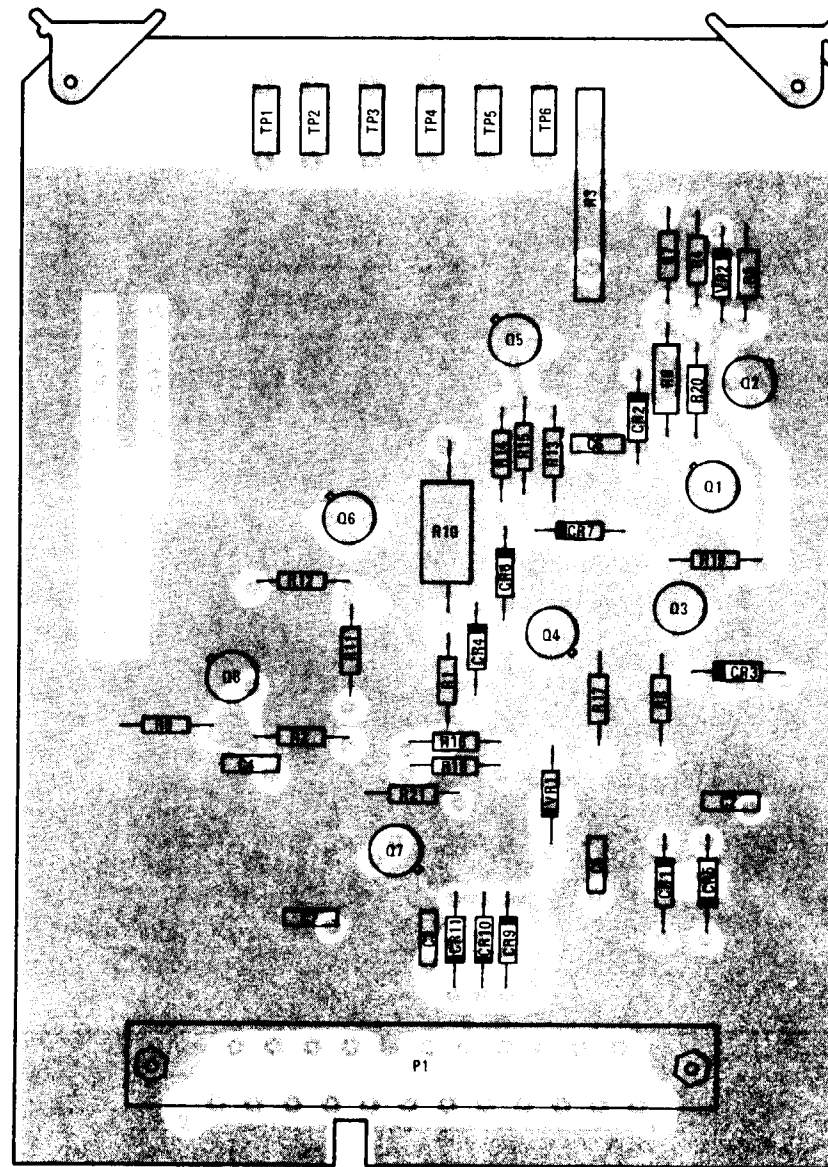
- NOTES:
 1. UNLESS OTHERWISE SPECIFIED:
 A. ALL RESISTOR ARE IN OHMS, 1/4, ±5%
 B. ALL CAPACITORS ARE IN MICROFARADS
 2. PREFIX ALL PARTIAL REFERENCE DESIGNATORS WITH 1A3.

Figure 10. System Control PWB 1A3, PN 755017A4230 (Sheet 1 of 2)
 2 0

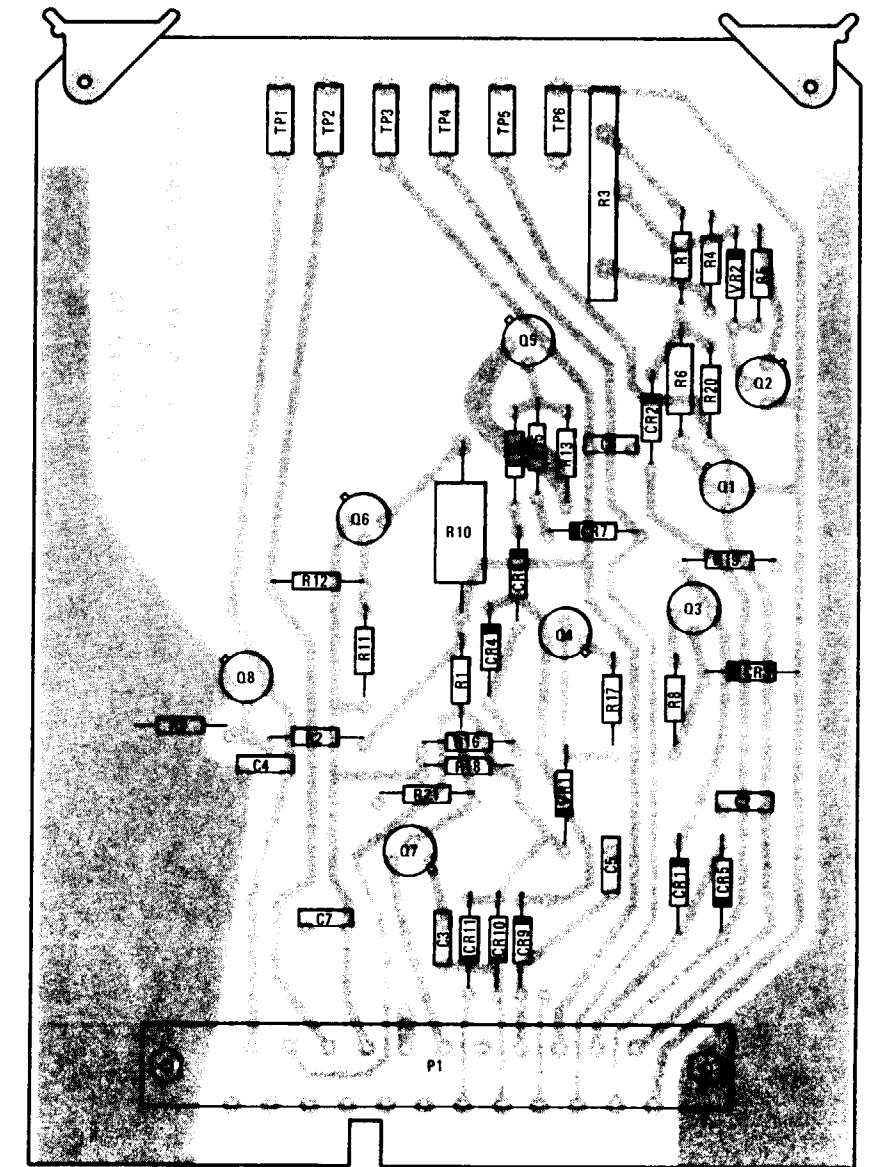
DC OVERVOLTAGE ADJUSTMENT

| STEP NO. | TEST EQUIPMENT | TEST POINT | ADJUSTMENT | REMARKS |
|----------|--|------------|------------|--|
| 1 | VOM VARIABLE POWER SUPPLY | 1A3P1-3 | | CONNECT VARIABLE DC POWER SUPPLY TO 1A3P1-3 AND SET TO +26.5 VDC. |
| 2 | TOGGLE SWITCH | 1A3P1-2 | | CONNECT A TOGGLE SWITCH BETWEEN GND AND 1A3P1-2. |
| 3 | RESISTOR 1.5K LED P/N 755107A3011-3 | 1A3P1-4 | | CONNECT THE RESISTOR AND LED IN SERIES BETWEEN A +26.5 VDC SUPPLY AND 1A3P1-4. |
| 4 | TOGGLE SWITCH | | 1A3R3 | CLOSE THE TOGGLE SWITCH ATTACH TO 1A3P1-2 |
| 5 | | | 1A3R3 | ADJUST OVERVOLTAGE POTENTIOMETER FULLY COUNTERCLOCKWISE (FCCW). |
| 6 | VARIABLE POWER SUPPLY | | 1A3R3 | ADJUST INPUT TO 1A3P1-3 TO +33 VDC ± 1 VDC |
| 7 | | | 1A3R3 | ADJUST 1A3R3 CW UNTIL LED AT 1A3P1-4 ILLUMINATES |
| 8 | VARIABLE POWER SUPPLY | | | ADJUST INPUT TO 1A3P1-3 TO +26.5 VDC |
| 9 | | | | CONTINUE ADJUST INPUT TO 1A3P1-3 TOWARD +33 VDC |
| 10 | | | | THE LED AT 1A3P1-4 SHOULD EXTINGUISH AT ABOUT +32 VDC. |
| 11 | | | | DISCONNECT TEST EQUIPMENT |

| Ref. Desig. | Name |
|-------------|----------------------------|
| C | Capacitor |
| CR | Diode Semiconductor Device |
| P | Plug (Connector) |
| Q | Transistor |
| R | Resistor |
| TP | Test Point |
| VR | Voltage Regulator |



COMPONENT SIDE



TRACK SIDE OR RUN SIDE

NOTE: PREFIX ALL REFERENCE DESIGNATORS WITH 1A3

Figure 10. System Control PWB 1A3, PN 755017A4230 (Sheet 2 of 2)

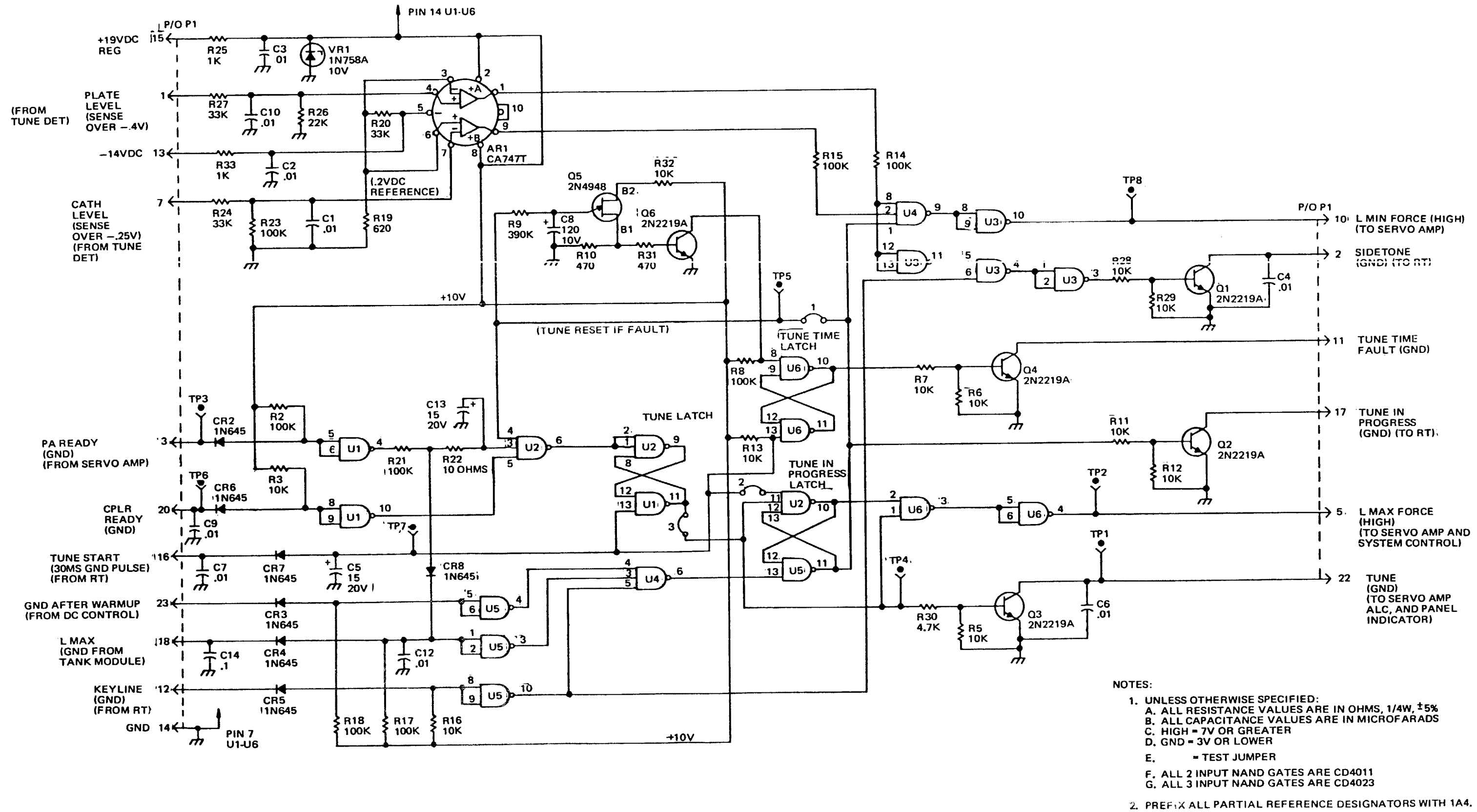
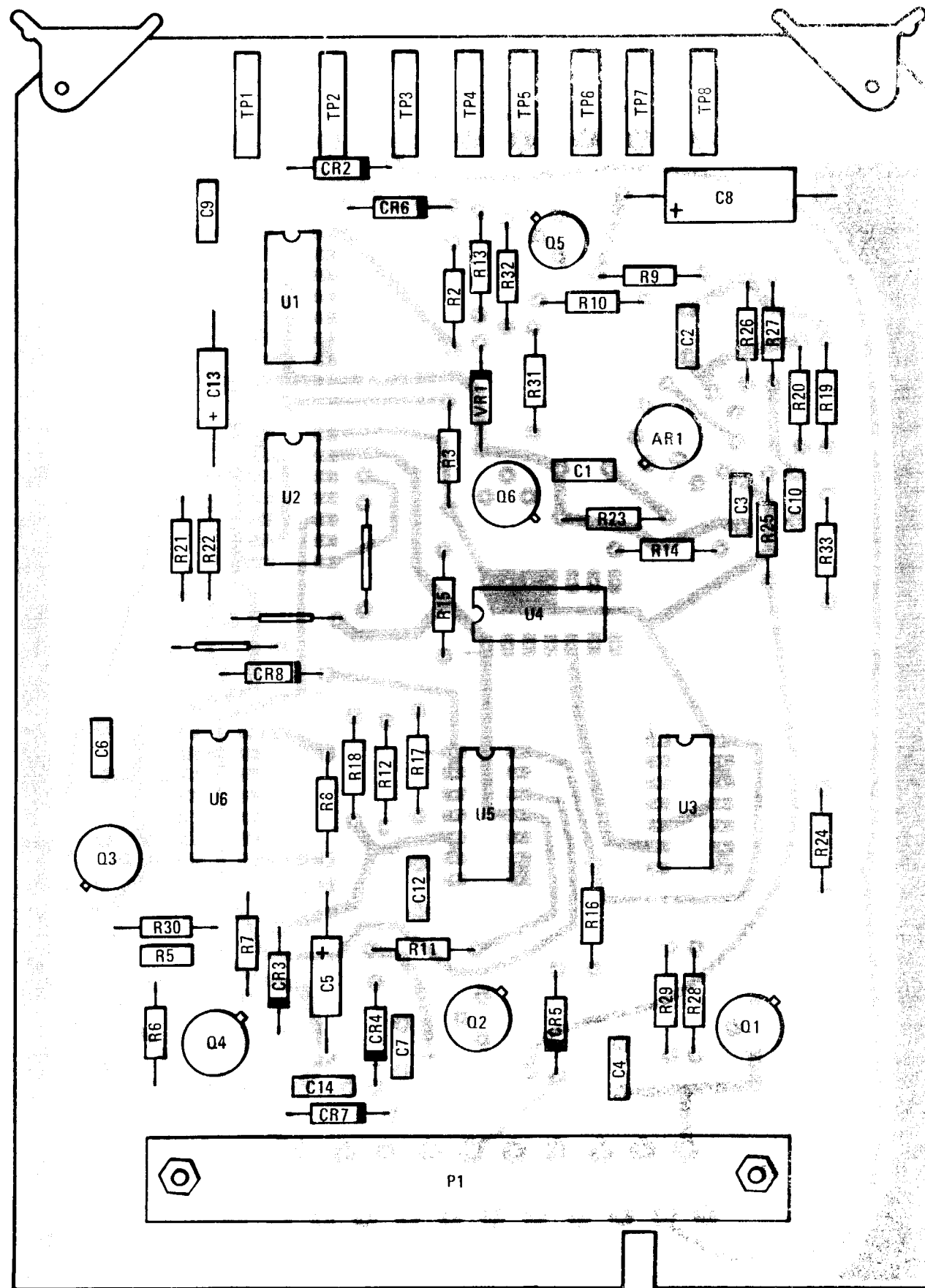
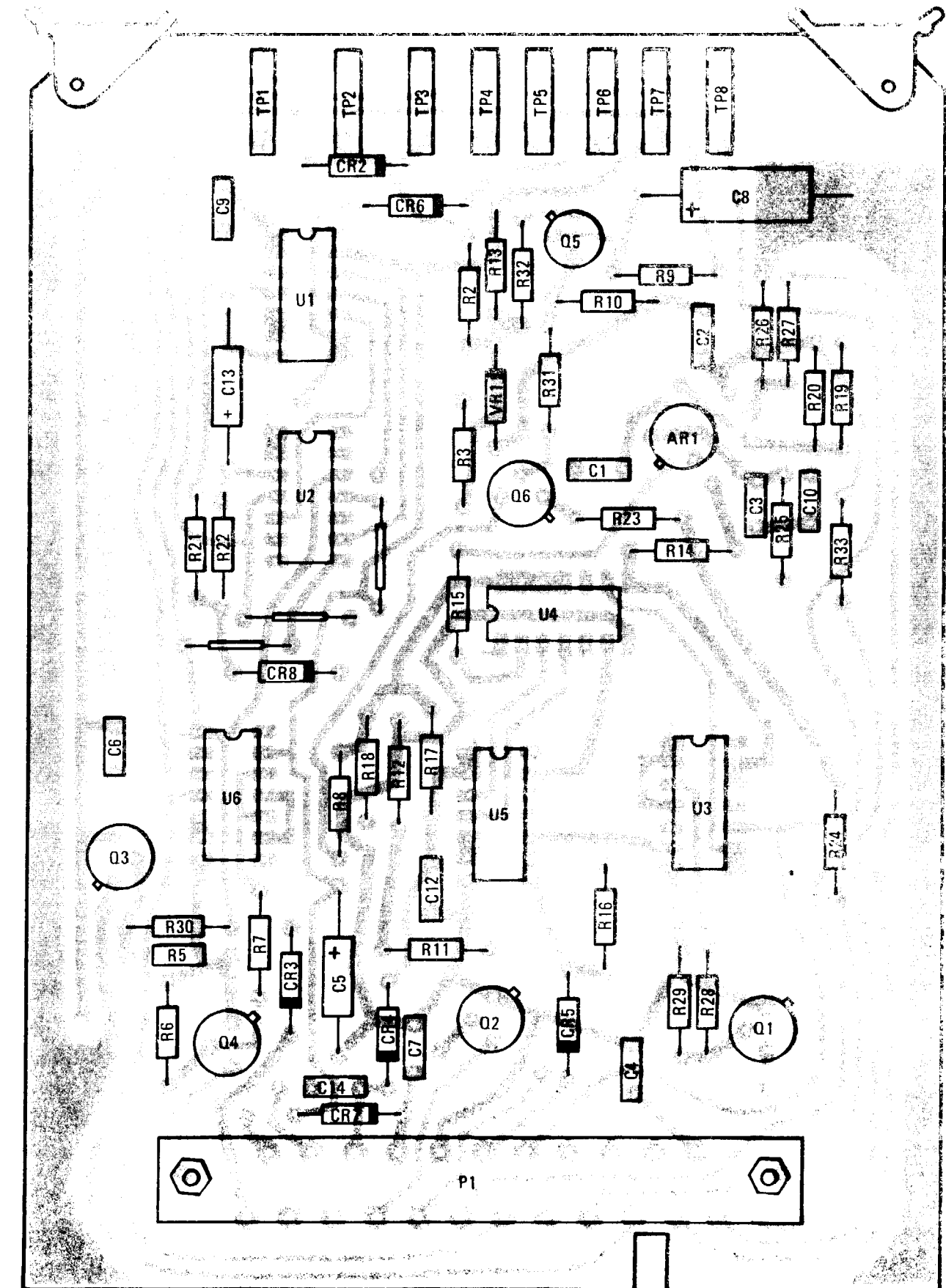


Figure 11. Tune Control PWB 1A4, PN 755017A4240 (Sheet 1 of 2)



NOTE: PREFIX ALL REFERENCE DESIGNATORS WITH 1A4
COMPONENT SIDE

| Ref. Desig. | Name |
|-------------|----------------------------|
| AR | Amplifier |
| C | Capacitor |
| CR | Diode Semiconductor Device |
| P | Plug (Connector) |
| Q | Transistor |
| R | Resistor |
| TP | Test Point |
| U | Integrated Circuit |
| VR | Voltage Regulator |



NOTE: PREFIX ALL REFERENCE DESIGNATORS WITH 1A4
TRACK SIDE OR RUN SIDE

Figure 11. Tune Control PWB 1A4, PN 755017A4240 (Sheet 2 of 2)

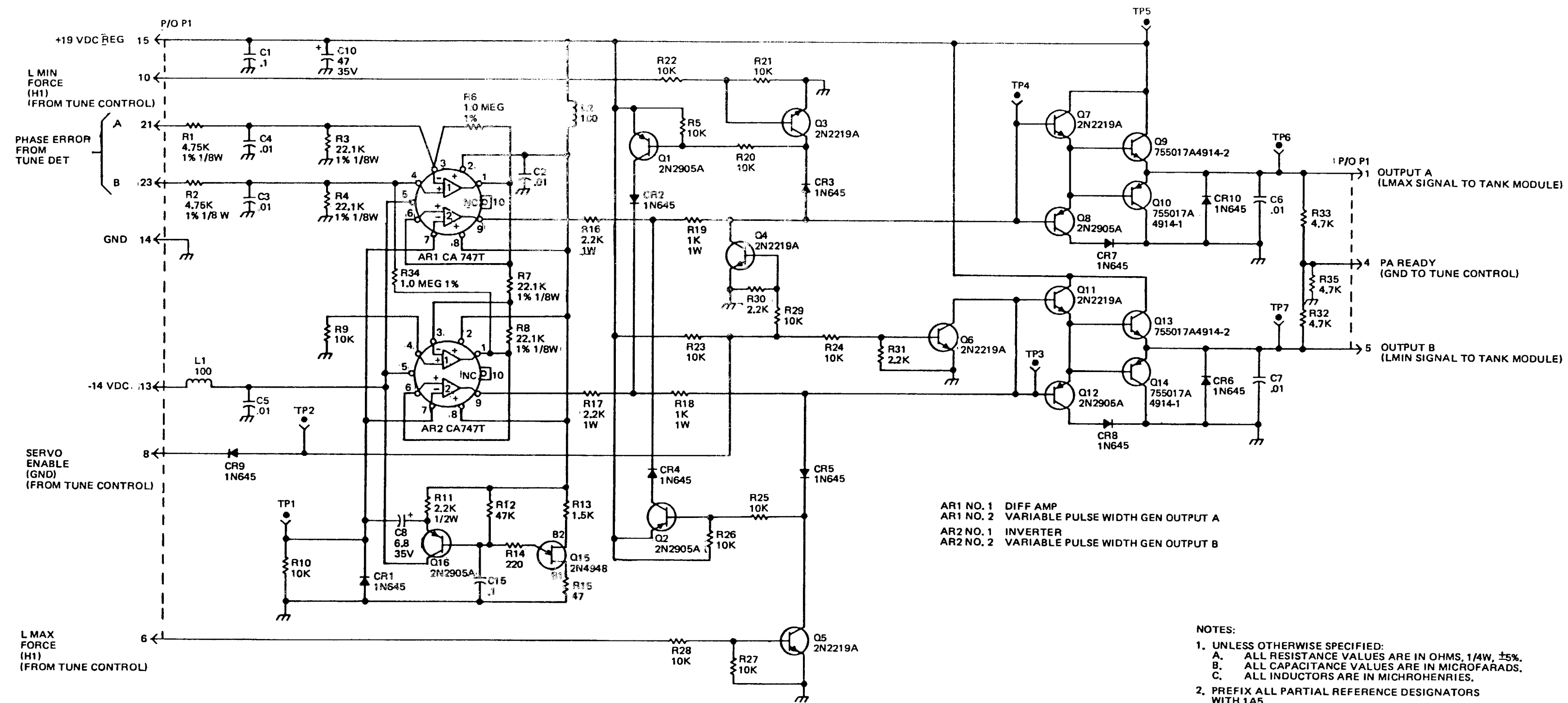
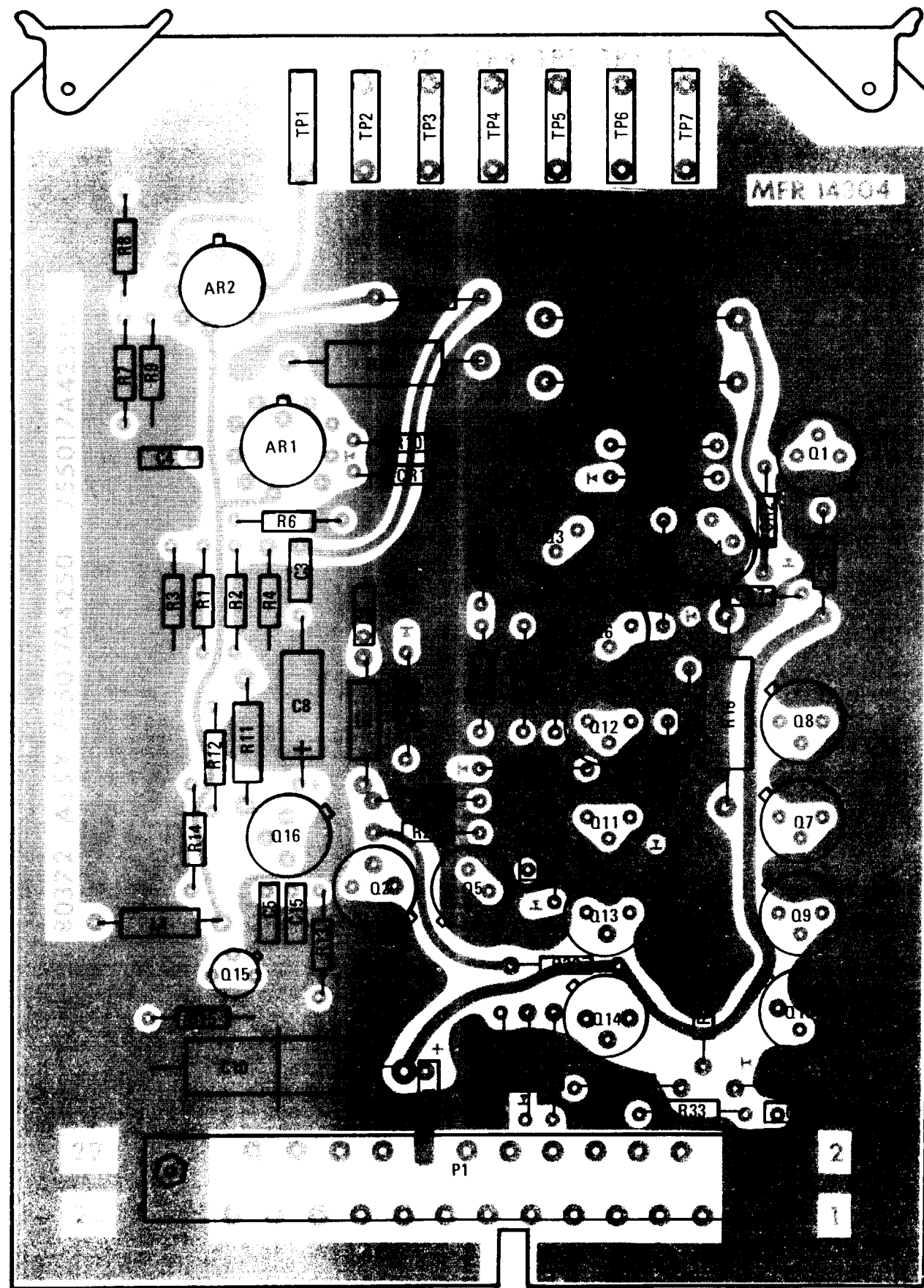
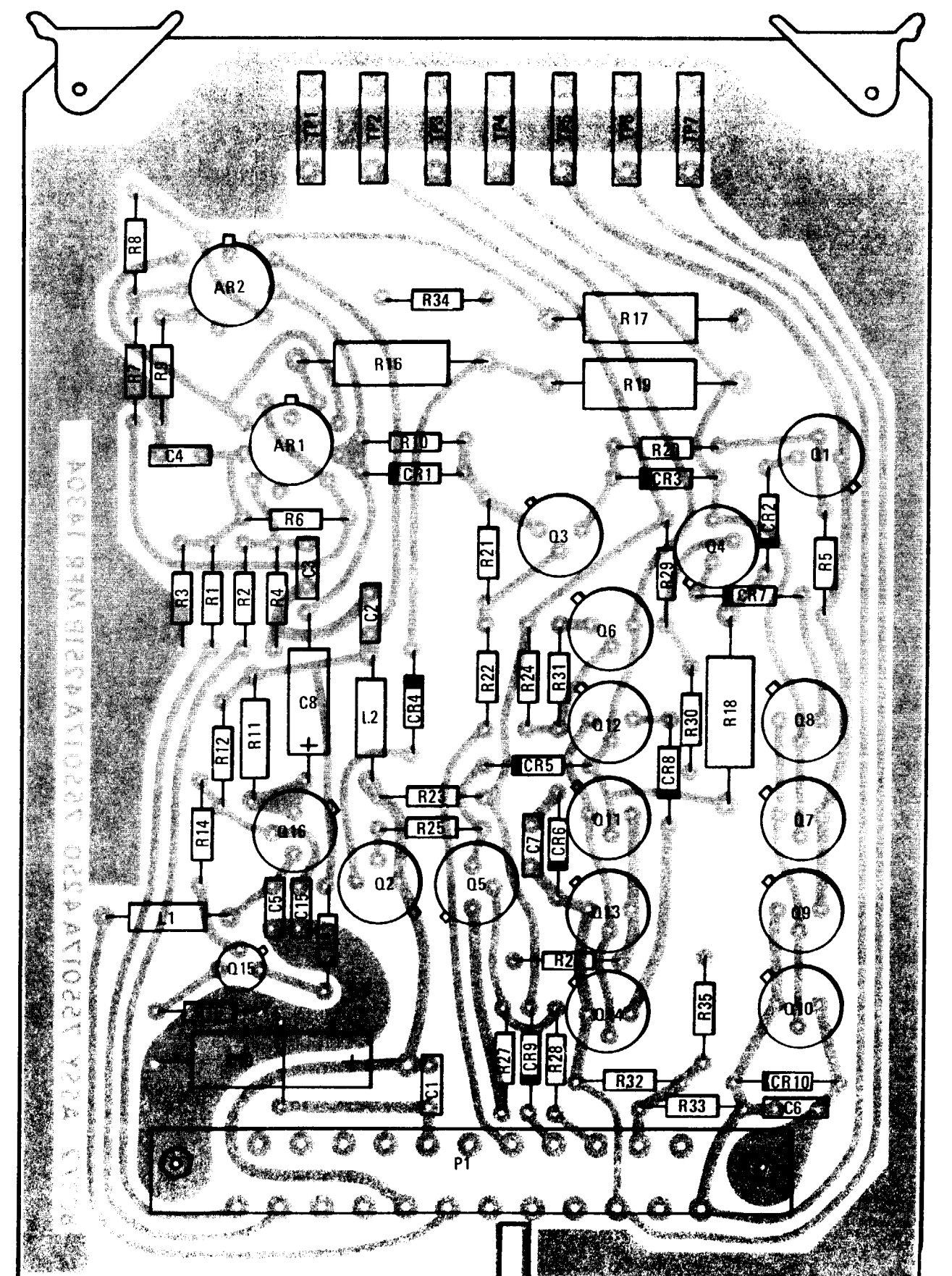


Figure 12. Servo Amplifier PWB 1A5, PN 755017A4250 (Sheet 1 of 2)



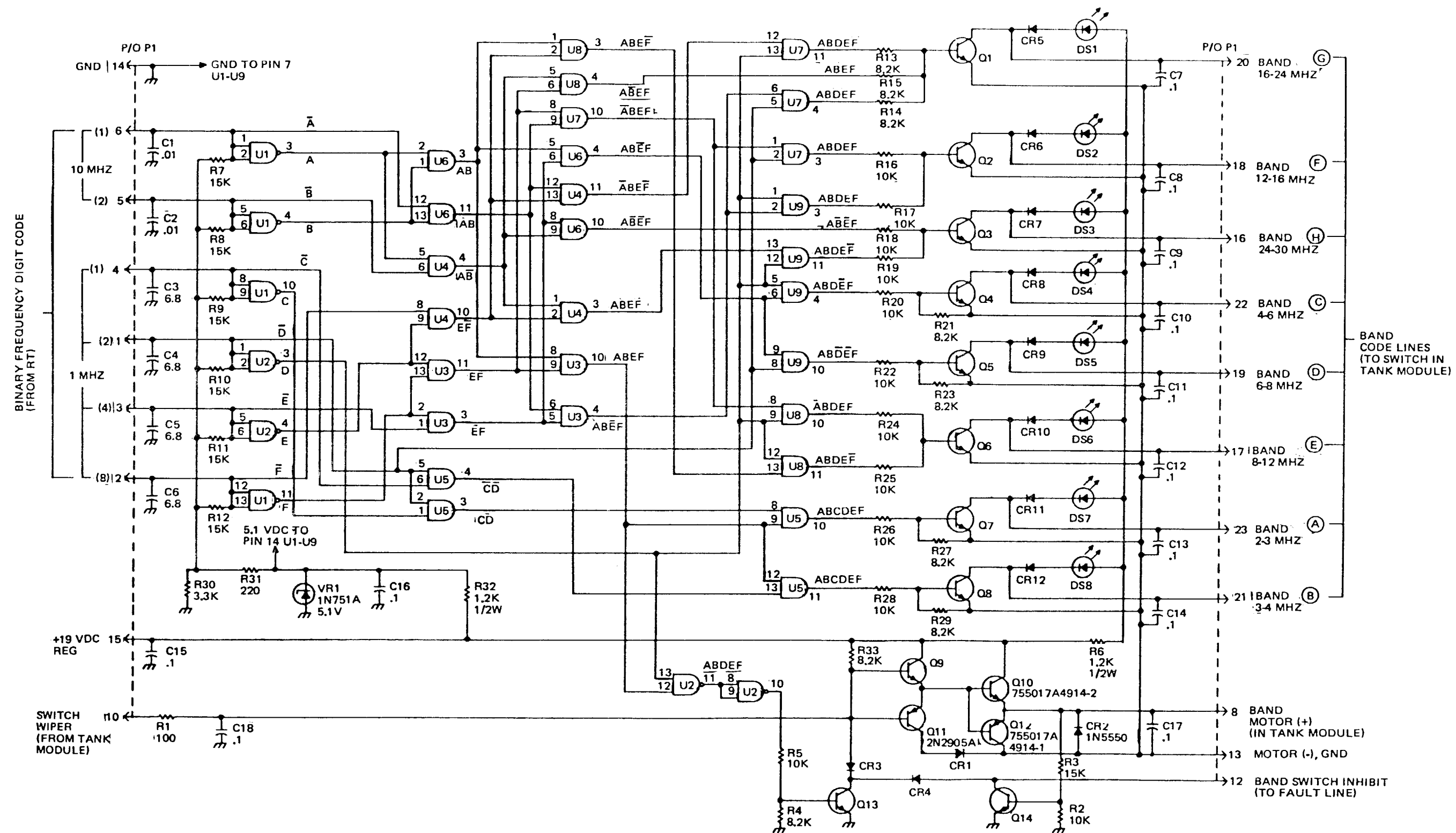
NOTE: PREFIX ALL REFERENCE DESIGNATORS WITH 1A5
COMPONENT SIDE

| Ref. Desig. | Name |
|-------------|----------------------------|
| AR | Amplifier |
| C | Capacitor |
| CR | Diode Semiconductor Device |
| L | Inductor |
| P | Plug (Connector) |
| Q | Transistor |
| R | Resistor |
| TP | Test Point |



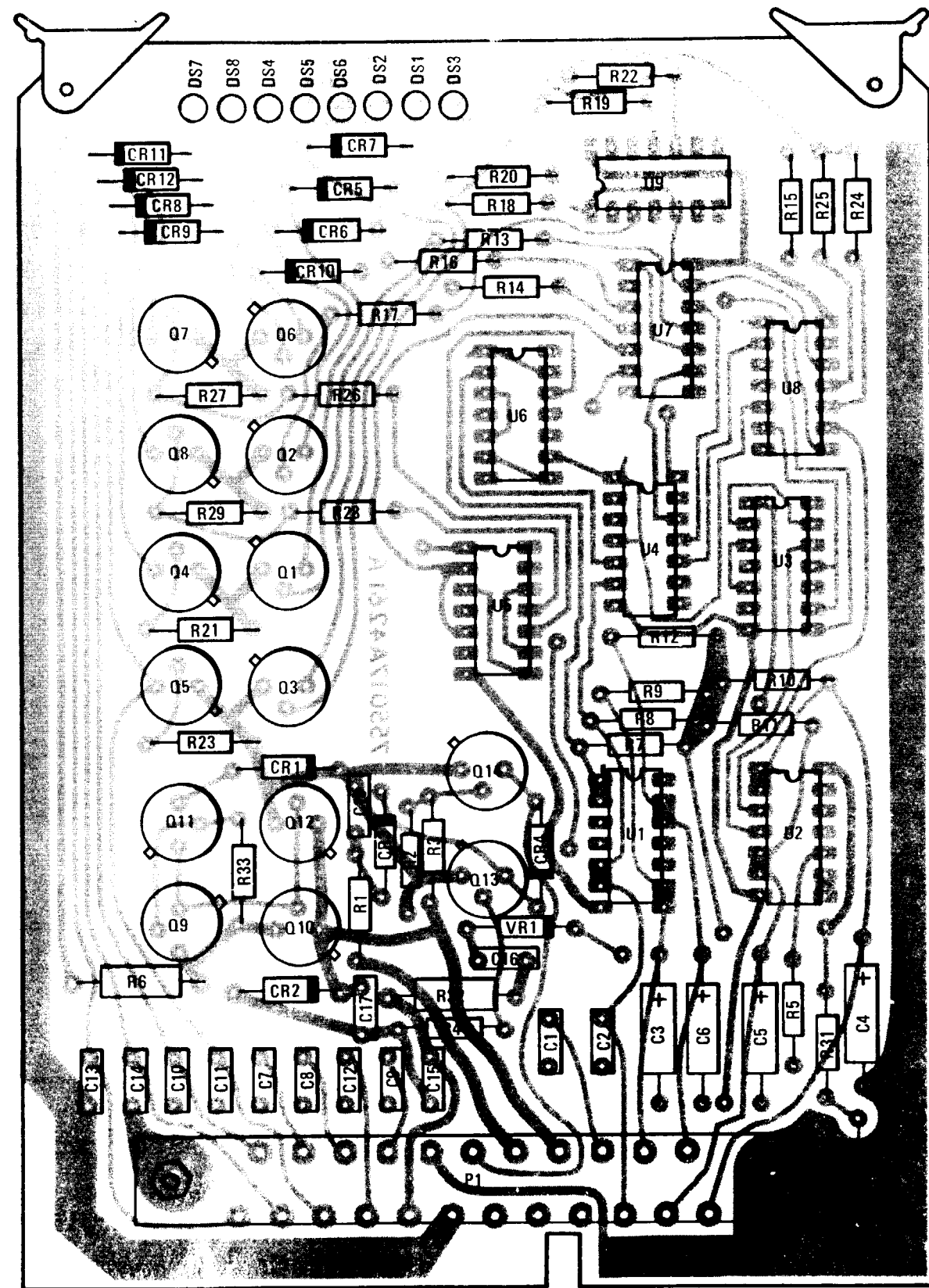
NOTE: PREFIX ALL REFERENCE DESIGNATORS WITH 1A5
TRACK SIDE OR RUN SIDE

Figure 12. Servo Amplifier PWB 1A5, PN 755017A4250 (Sheet 2 of 2)



- NOTES:
1. UNLESS OTHERWISE SPECIFIED:
 - A. ALL RESISTANCE VALUES ARE IN OHMS, 1/4W, ±5%.
 - B. ALL CAPACITANCE VALUES ARE IN MICROFARADS.
 - C. ALL DIODES ARE 1N645.
 - D. ALL TRANSISTORS ARE 2N2219A
 - E. ALL LED'S ARE 755017A3011-1.
 - F. ALL AND GATES ARE 755017A4265-1.
 - G. ALL NAND GATES ARE 755017A4245-1.
 2. PREFIX ALL PARTIAL REFERENCE DESIGNATORS WITH 1A6

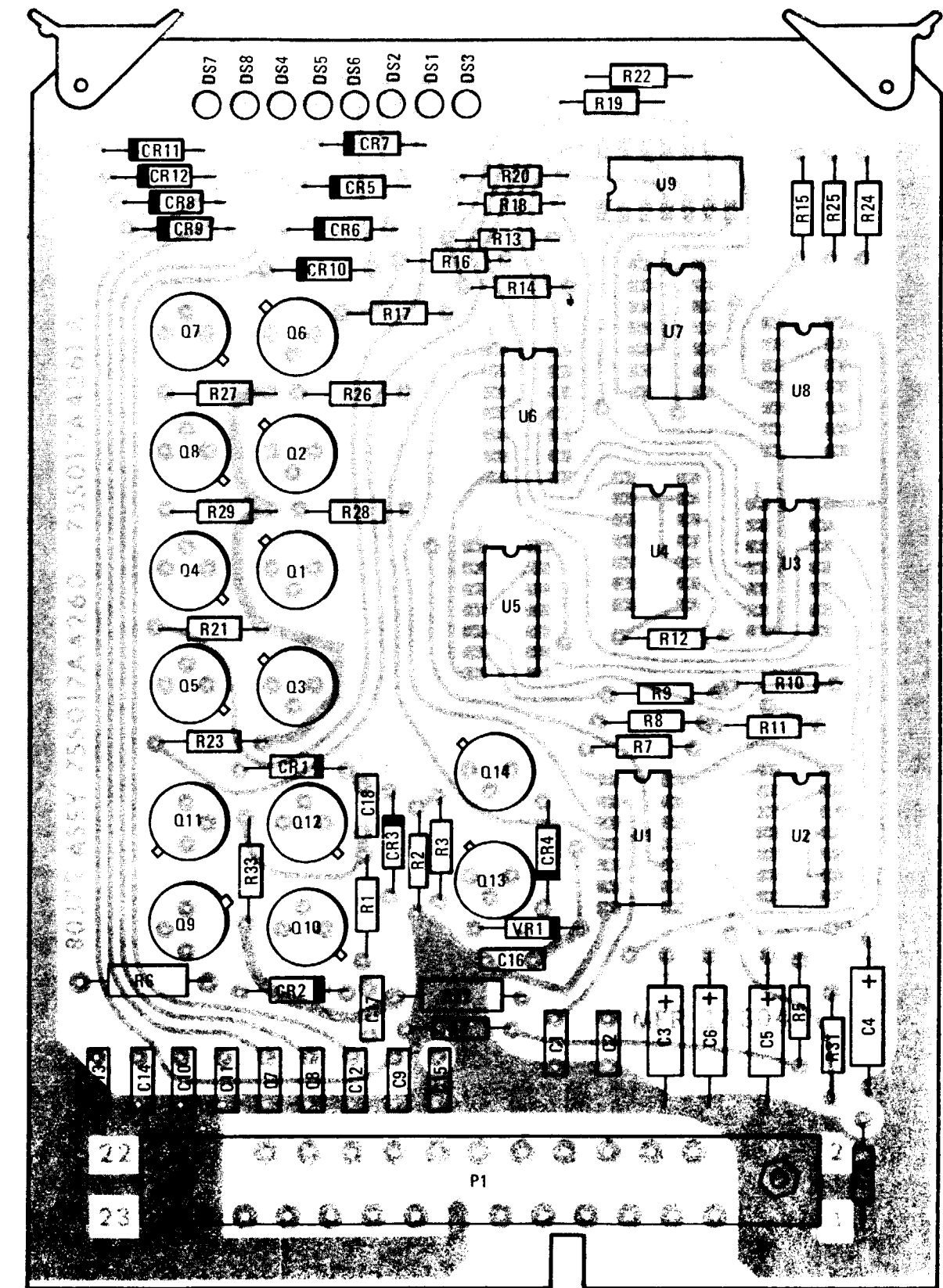
Figure 10. Band Control P/O P1, PN 755017A4265 (Sheet 1 of 2)



COMPONENT SIDE

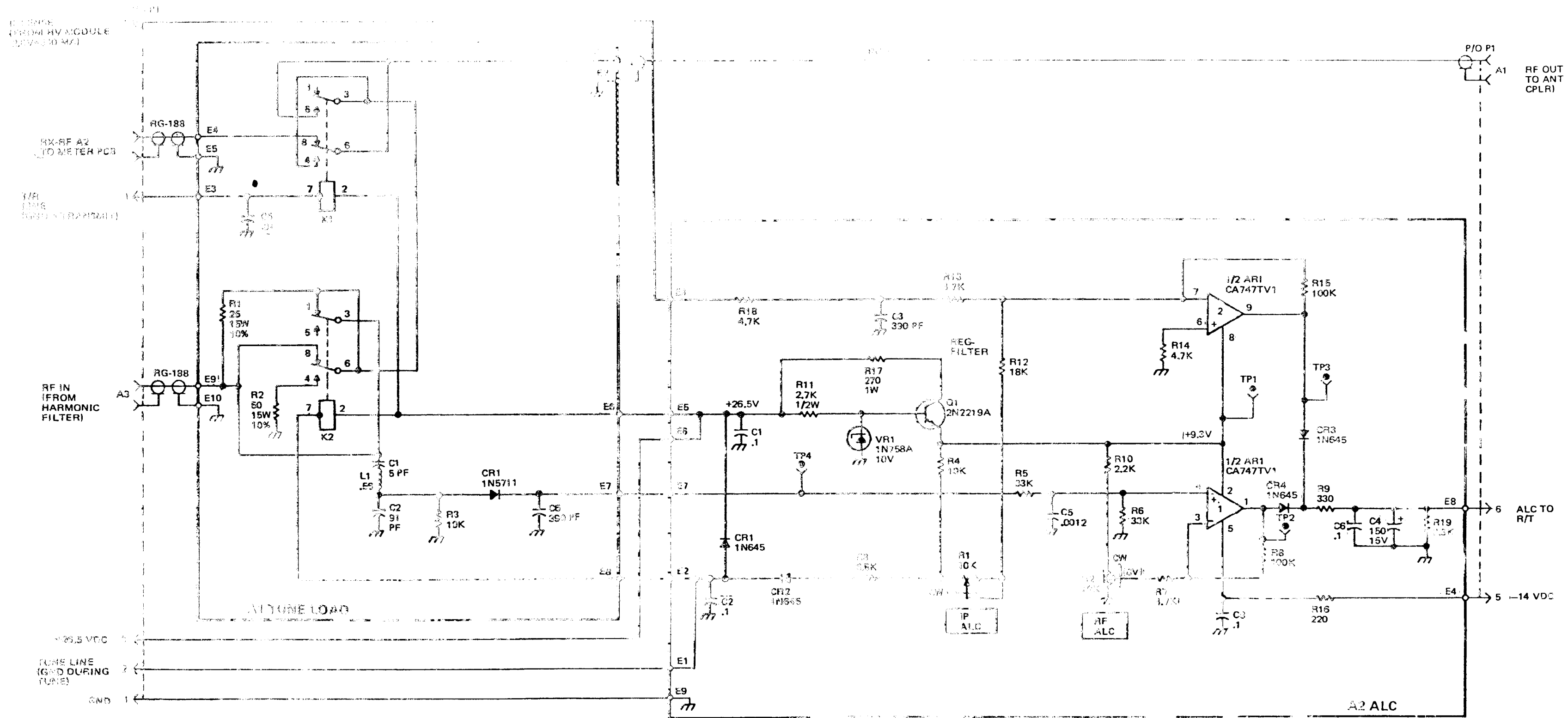
| Ref. Desig. | Name |
|-------------|----------------------------|
| C | Capacitor |
| CR | Diode Semiconductor Device |
| DS | Lamp |
| P | Plug (Connector) |
| Q | Transistor |
| R | Resistor |
| U | Integrated Circuit |
| VR | Voltage Regulator |

NOTE: PREFIX ALL REFERENCE DESIGNATORS WITH 1A6



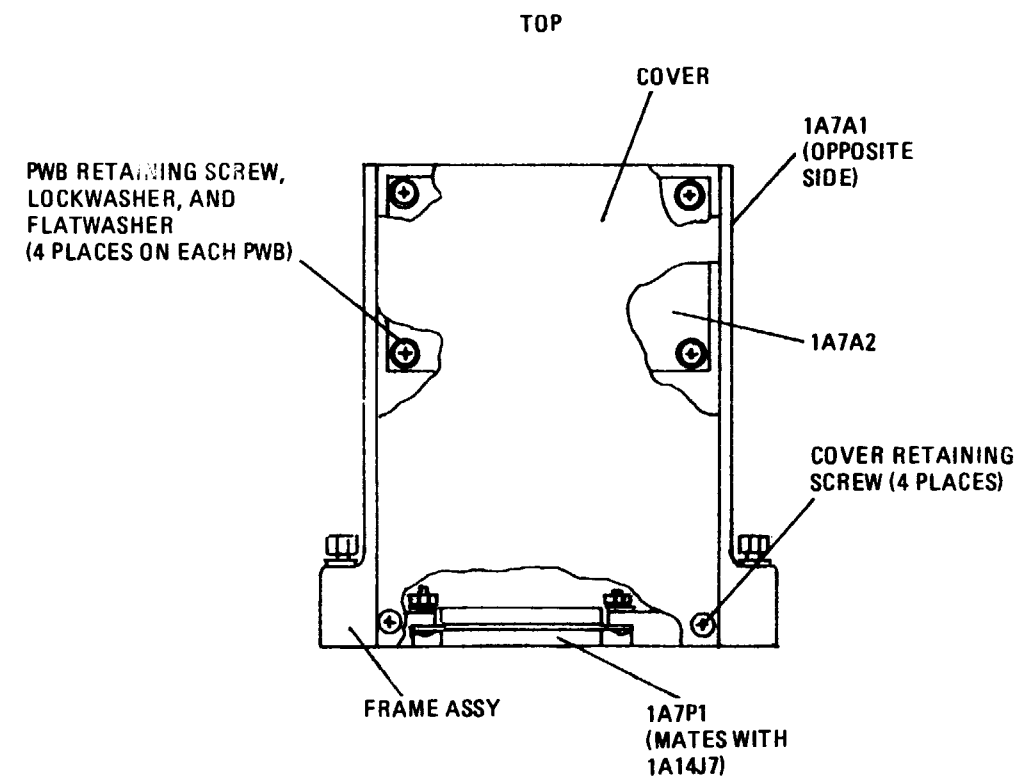
TRACK SIDE OR RUN SIDE

Figure 13. Band Control PWB 1A6, PN 755017A4260 (Sheet 2 of 2)

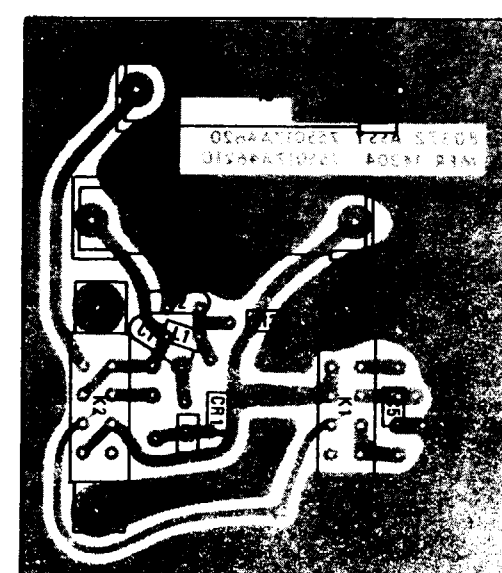
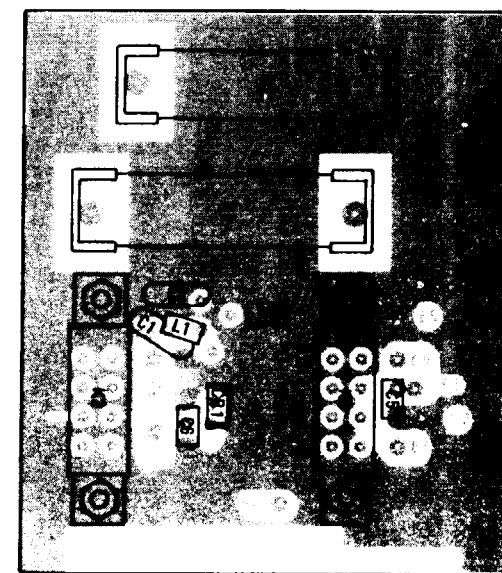


- NOTES:
1. UNLESS OTHERWISE SPECIFIED:
 - A. ALL RESISTORS ARE IN OHMS, 1/4W, ±5%.
 - B. ALL CAPACITORS ARE IN MICROFARADS.
 - C. ALL INDUCTORS ARE IN MICRohenries.
 2. R3 SETS TUNE POWER LEVEL.
 3. PREFIX ALL PARTIAL REFERENCE DESIGNATORS WITH 'A'.

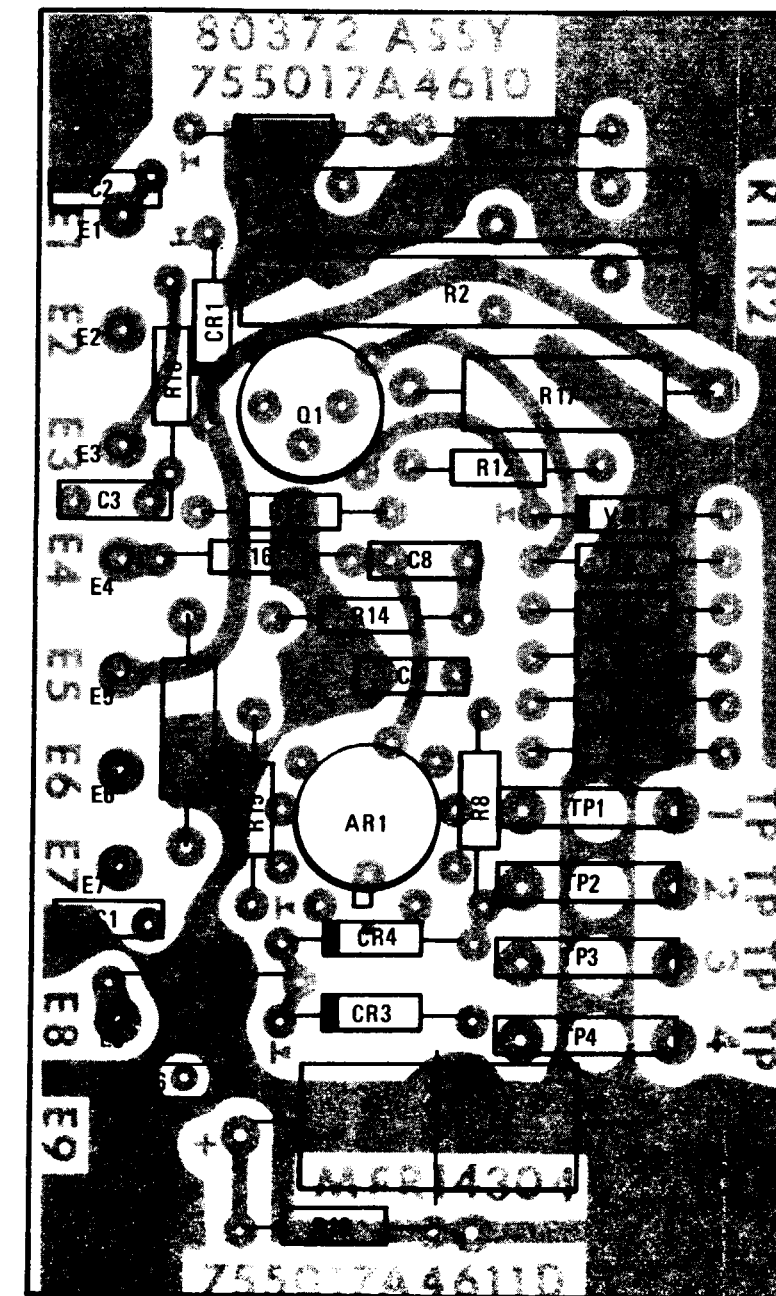
Figure 14. ALC Module Assembly 1A7, PN 755017A4C00 (Sheet 1 of 2)



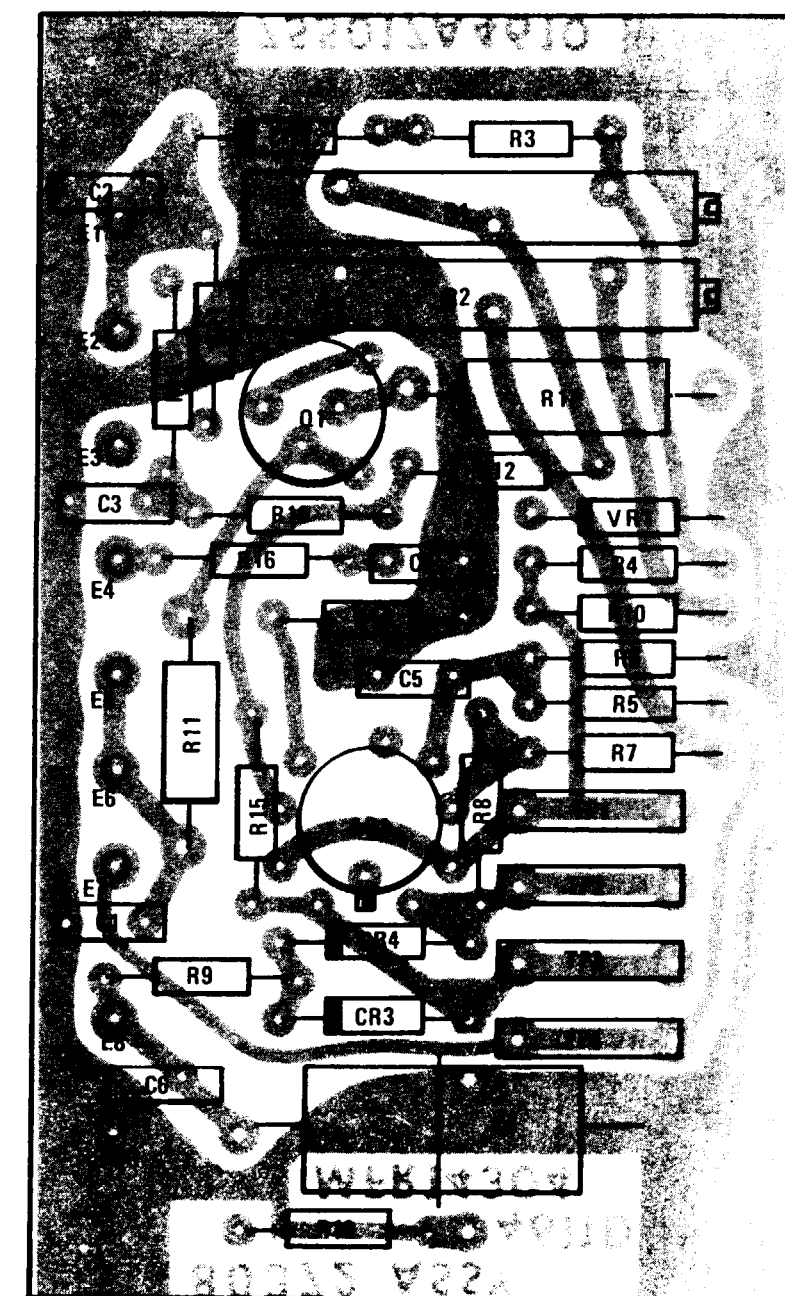
| Ref. Desig. | Name |
|-------------|----------------------------|
| AR | Amplifier |
| C | Capacitor |
| CR | Diode Semiconductor Device |
| K | Relay |
| L | Inductor |
| P | Plug (Connector) |
| Q | Transistor |
| R | Resistor |
| TP | Test Point |
| VR | Voltage Regulator |



NOTE: PREFIX ALL REFERENCE DESIGNATORS WITH 1A7A1
 COMPONENT SIDE TRACK SIDE OR RUN SIDE
 TUNE LOAD PWB ASSEMBLY 1A7A1, PN 755017A4620



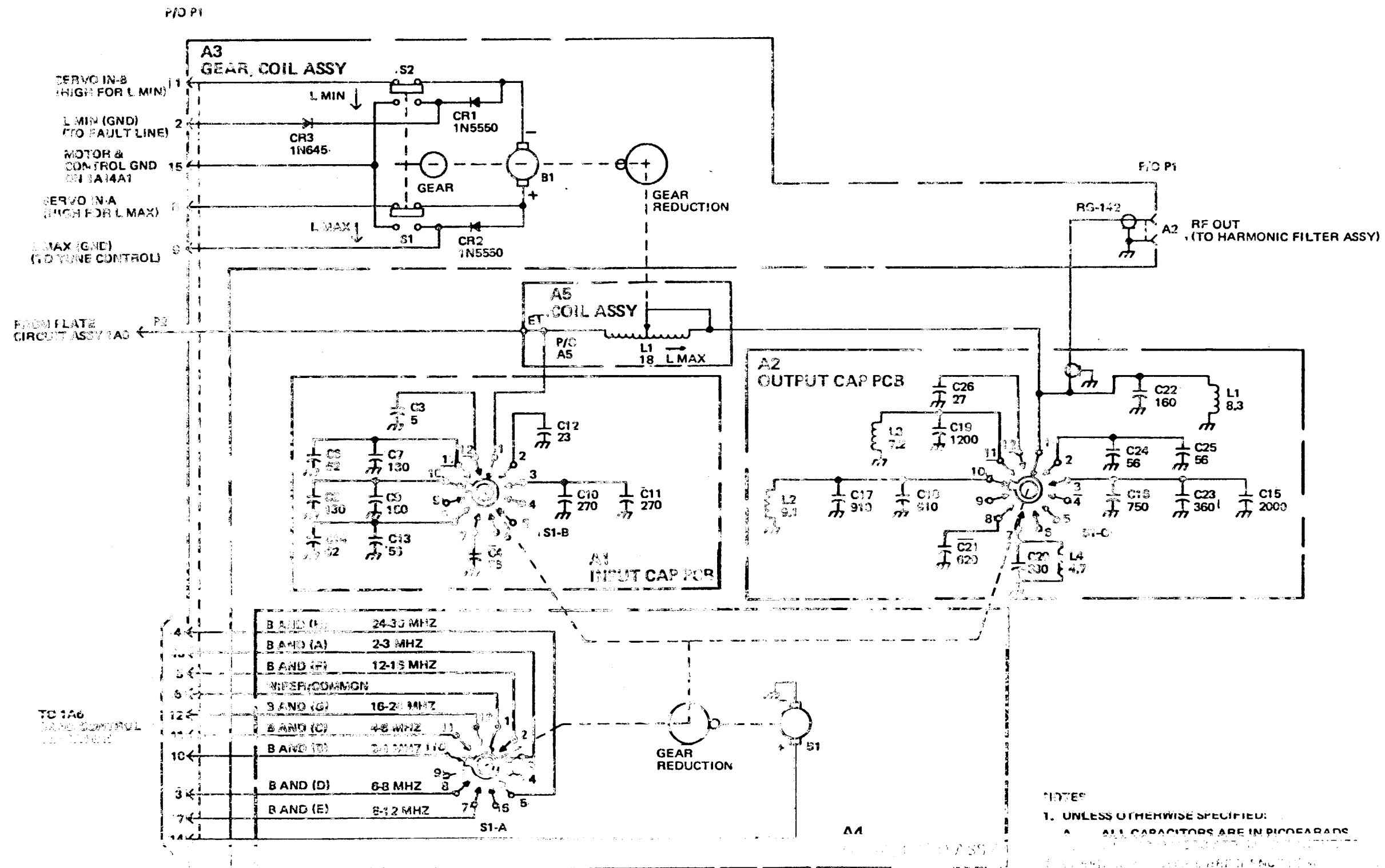
COMPONENT SIDE

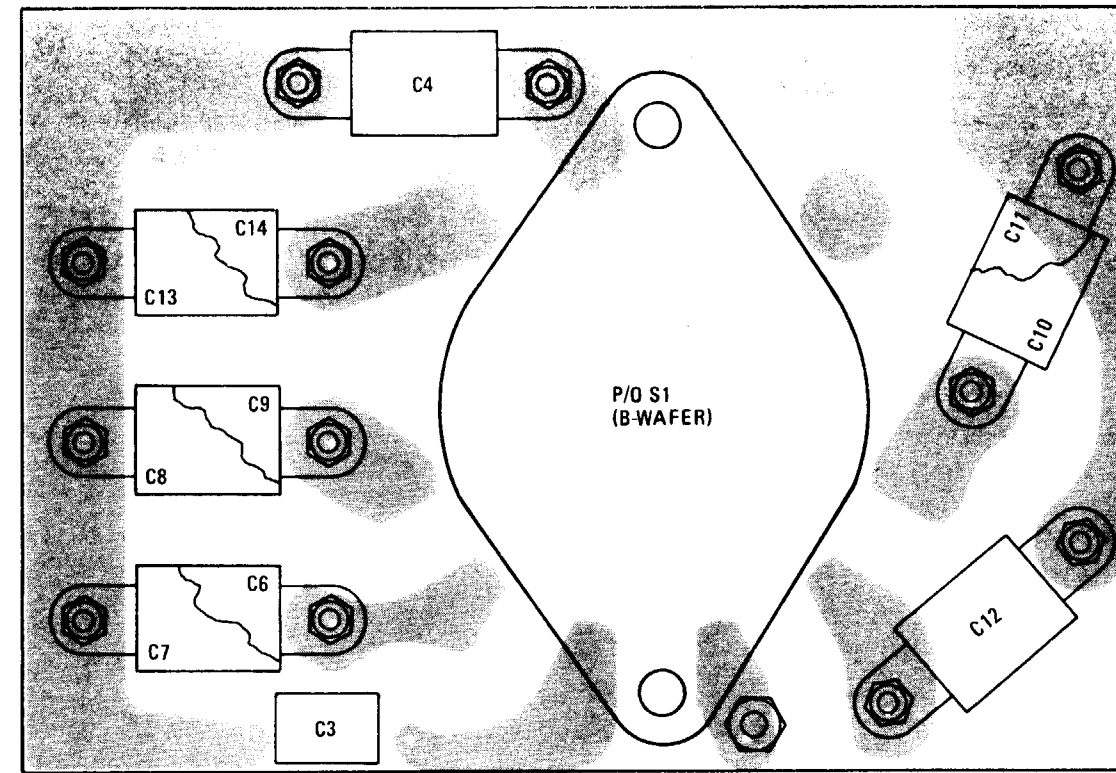
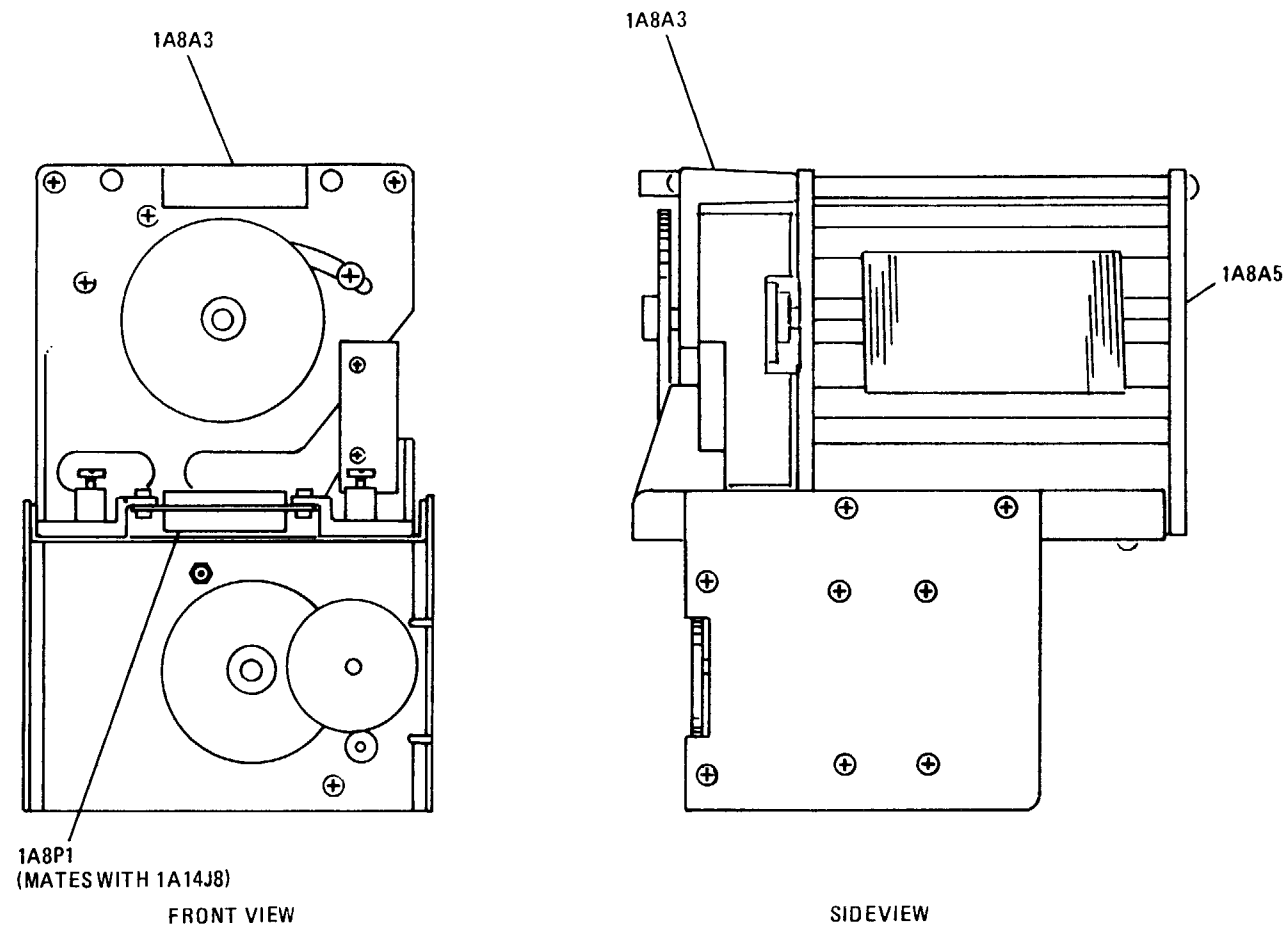


TRACK SIDE OR RUN SIDE

NOTE: PREFIX ALL REFERENCE DESIGNATORS WITH 1A7A2

Figure 14. ALC Module Assembly 1A7, PN 755017A4600 (Sheet 2 of 2)

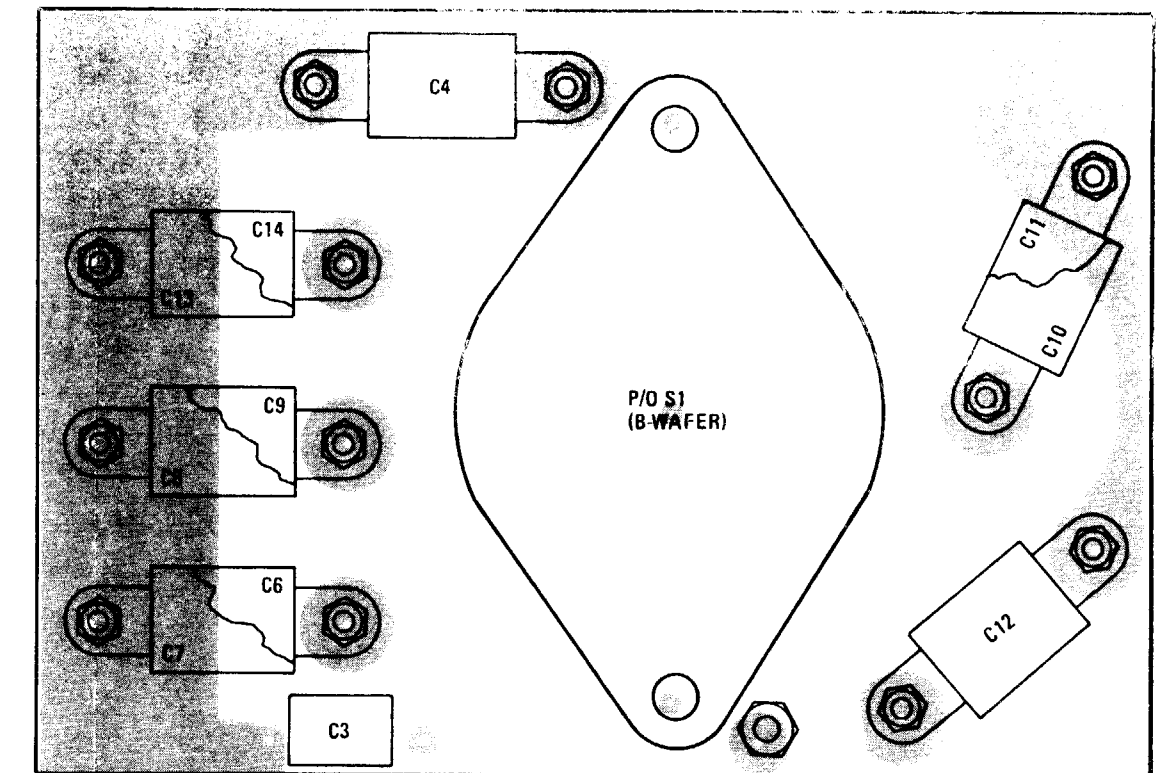




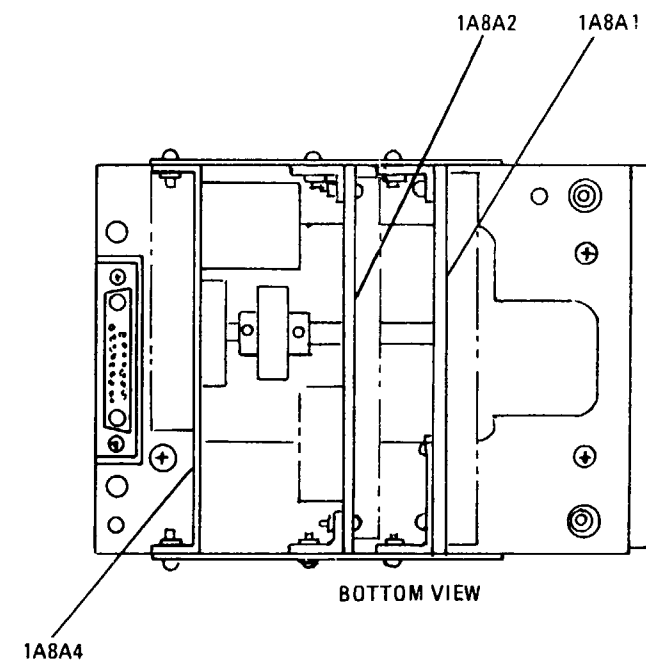
COMPONENT SIDE

NOTE: PREFIX ALL REFERENCE DESIGNATORS WITH 1A8A1

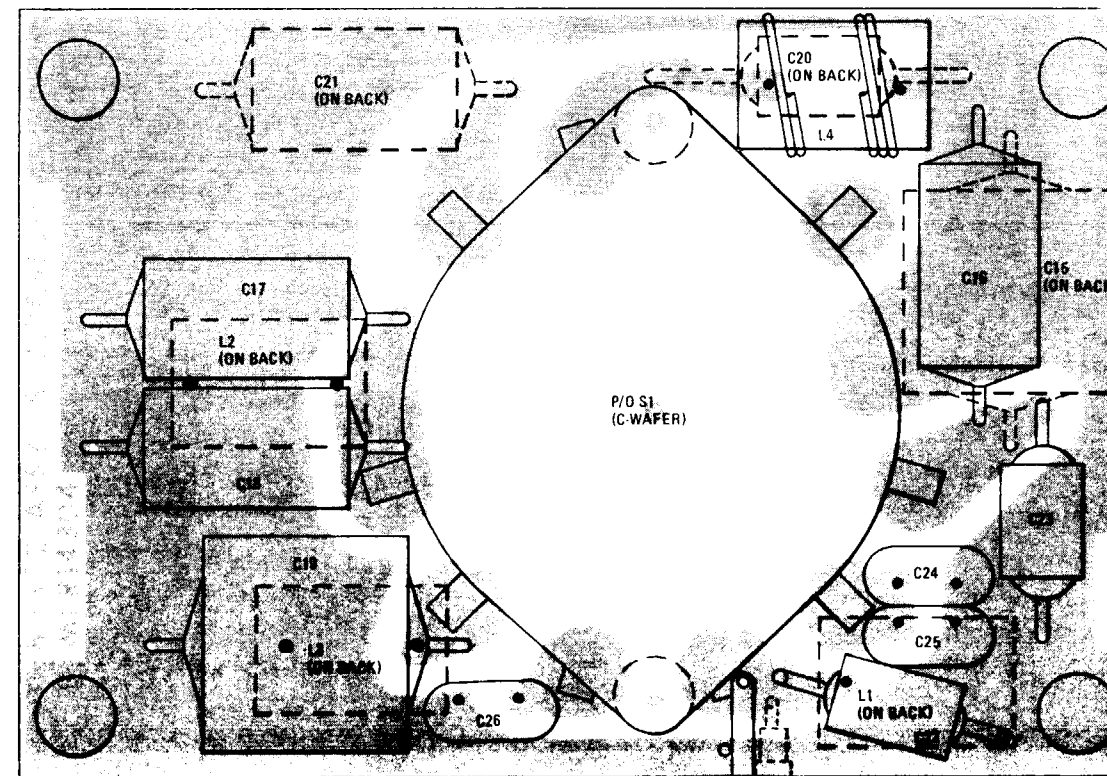
INPUT CAP PWB ASSEMBLY 1A8A1, PN 755017A4510



TRACK SIDE OR RUN SIDE



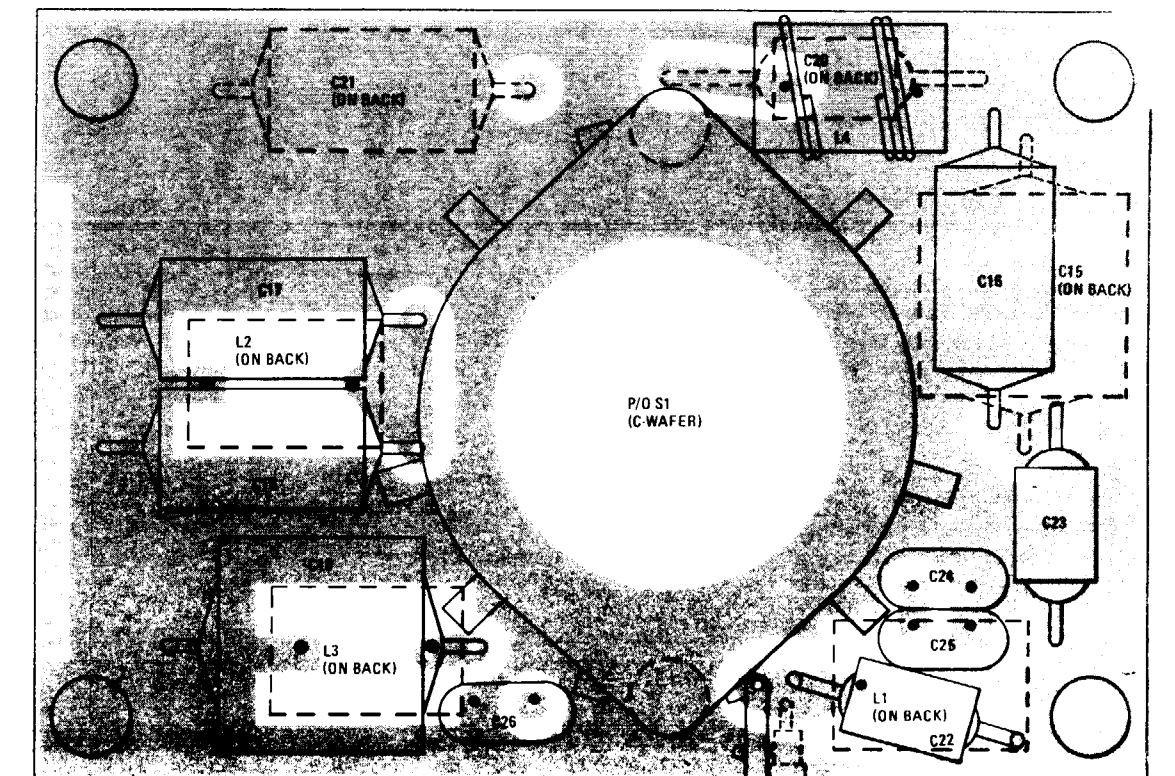
| Ref. Desig. | Name |
|-------------|----------------------------|
| B | Fan |
| C | Capacitor |
| CR | Diode Semiconductor Device |
| L | Inductor |
| P | Plug (Connector) |
| S | Switch |



COMPONENT SIDE

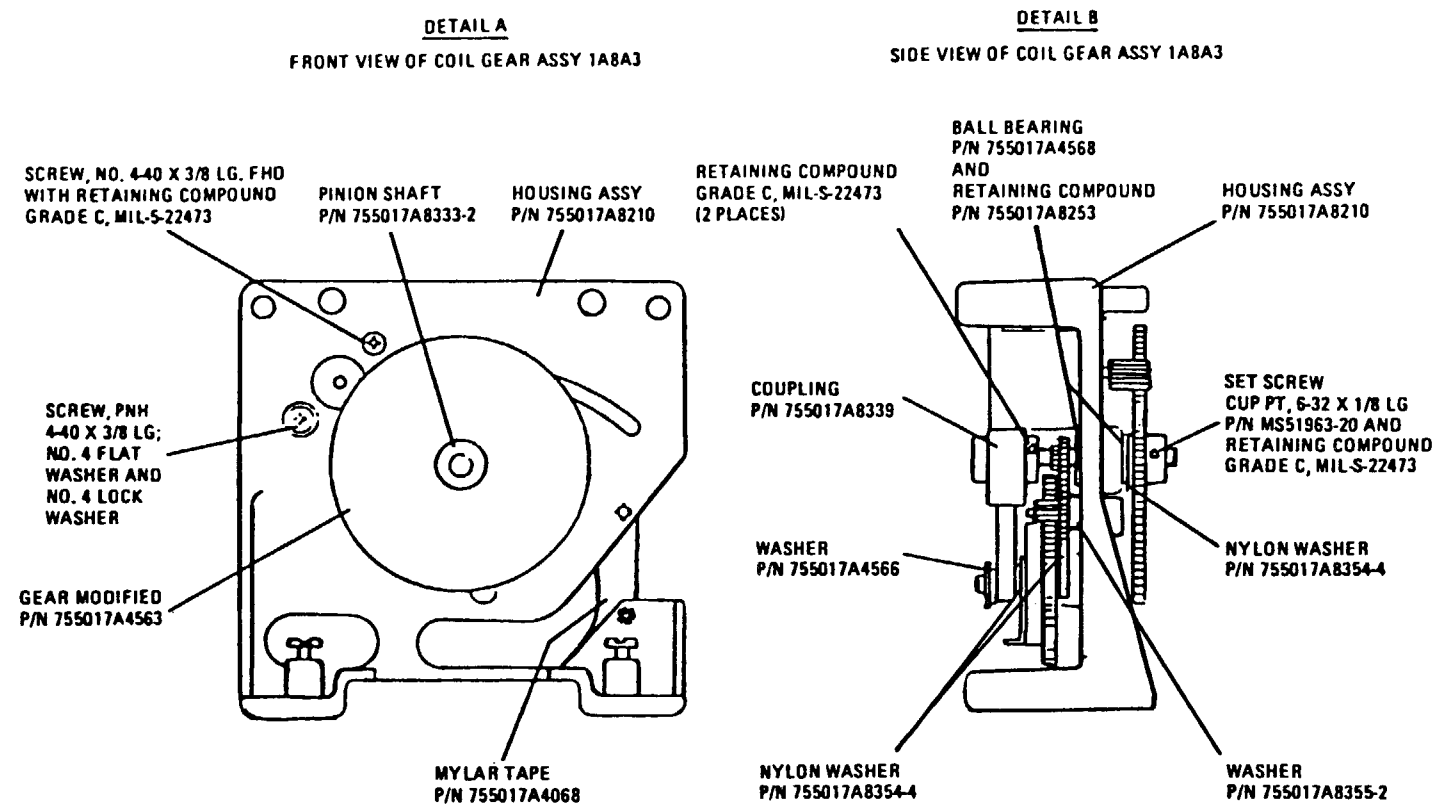
NOTE: PREFIX ALL REFERENCE DESIGNATORS WITH 1A8A2

OUTPUT CAP PWB ASSEMBLY 1A8A2, PN 755017A4520

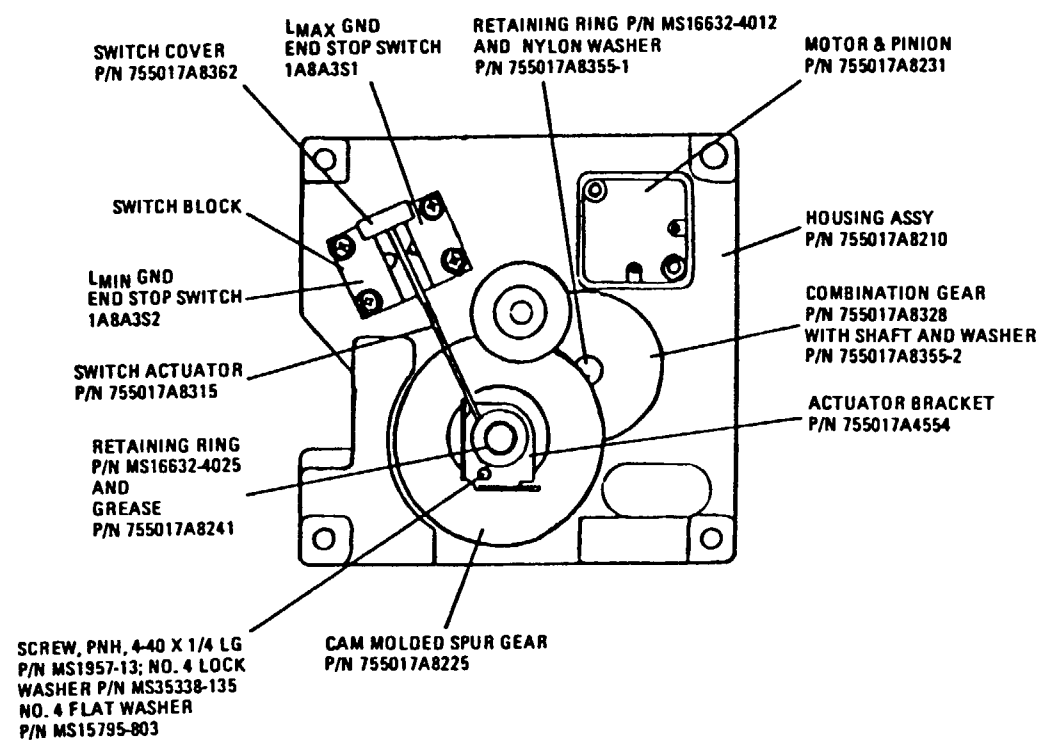


TRACK SIDE OR RUN SIDE

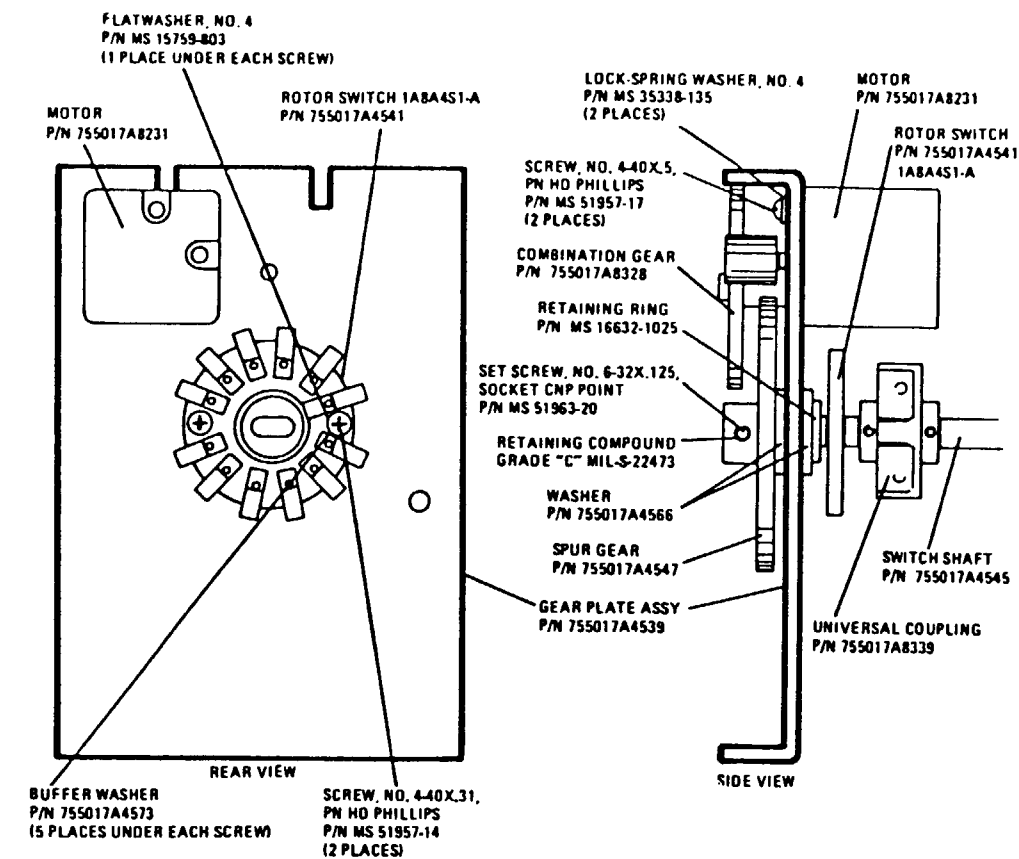
Figure 15. Tank Circuit Module Assembly 1A8, PN 755017A4500 (Sheet 2 of 3)



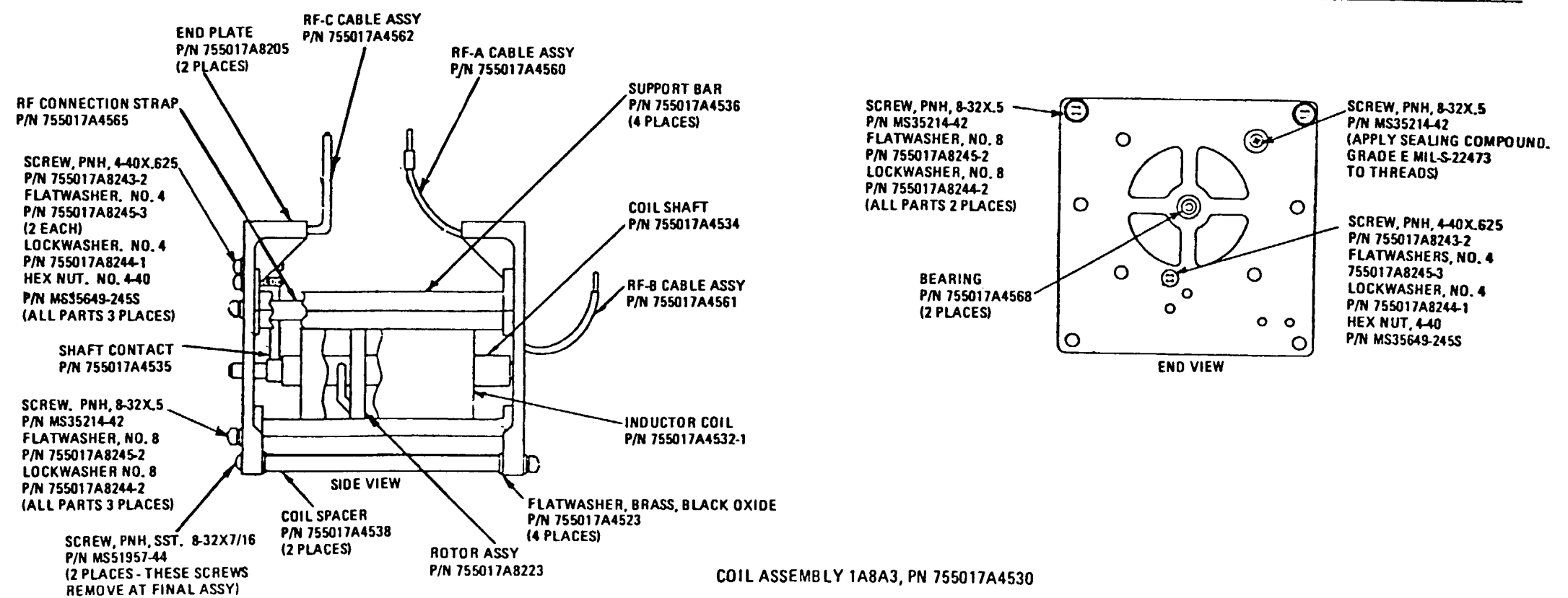
DETAIL C
COIL GEAR ASSY 1A8A3 ROTATED 180°



COIL GEAR ASSEMBLY 1A8A3, PN 755017A4550



BANDSWITCH GEAR ASSEMBLY 1A8A4, PN 755017A4540



COIL ASSEMBLY 1A8A3, PN 755017A4530

Figure 15. Tank Circuit Module Assembly 1A8, PN 755017A4500 (Sheet 3 of 3)

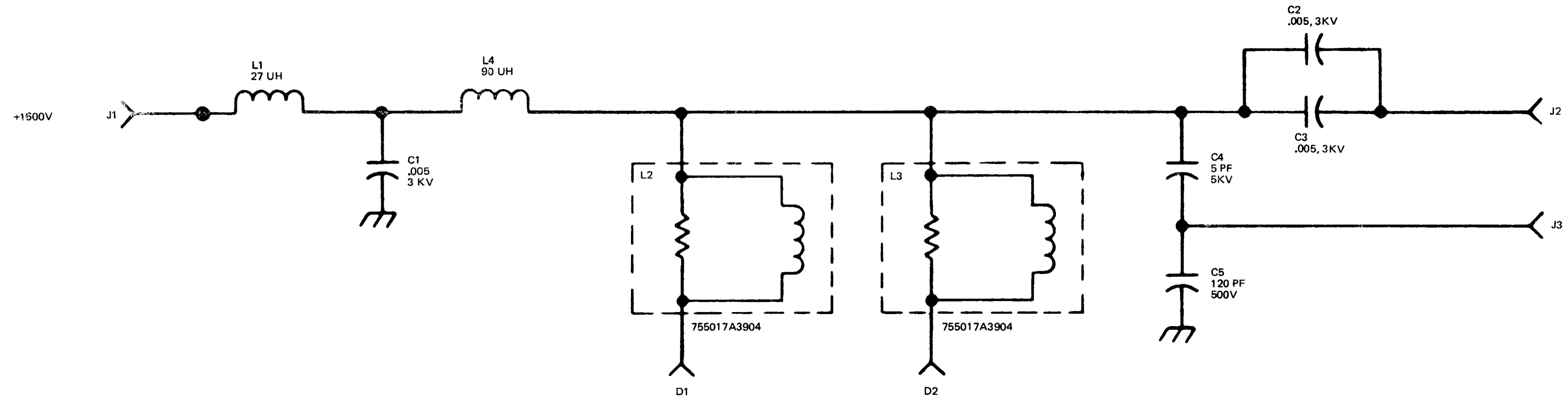
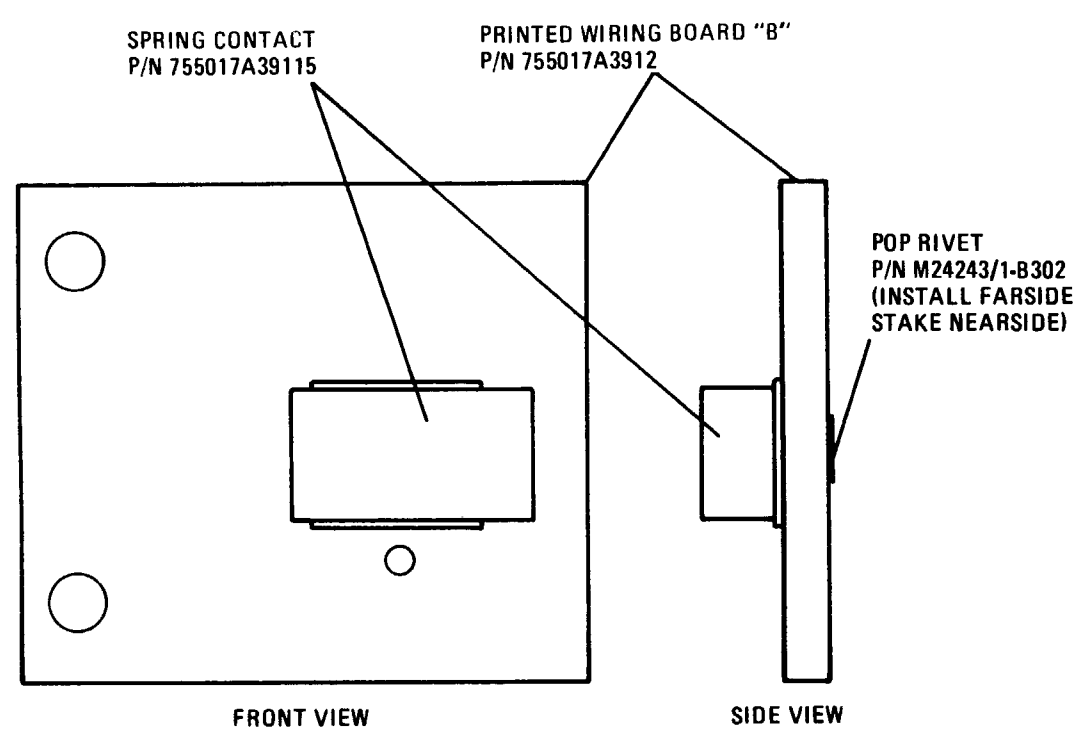
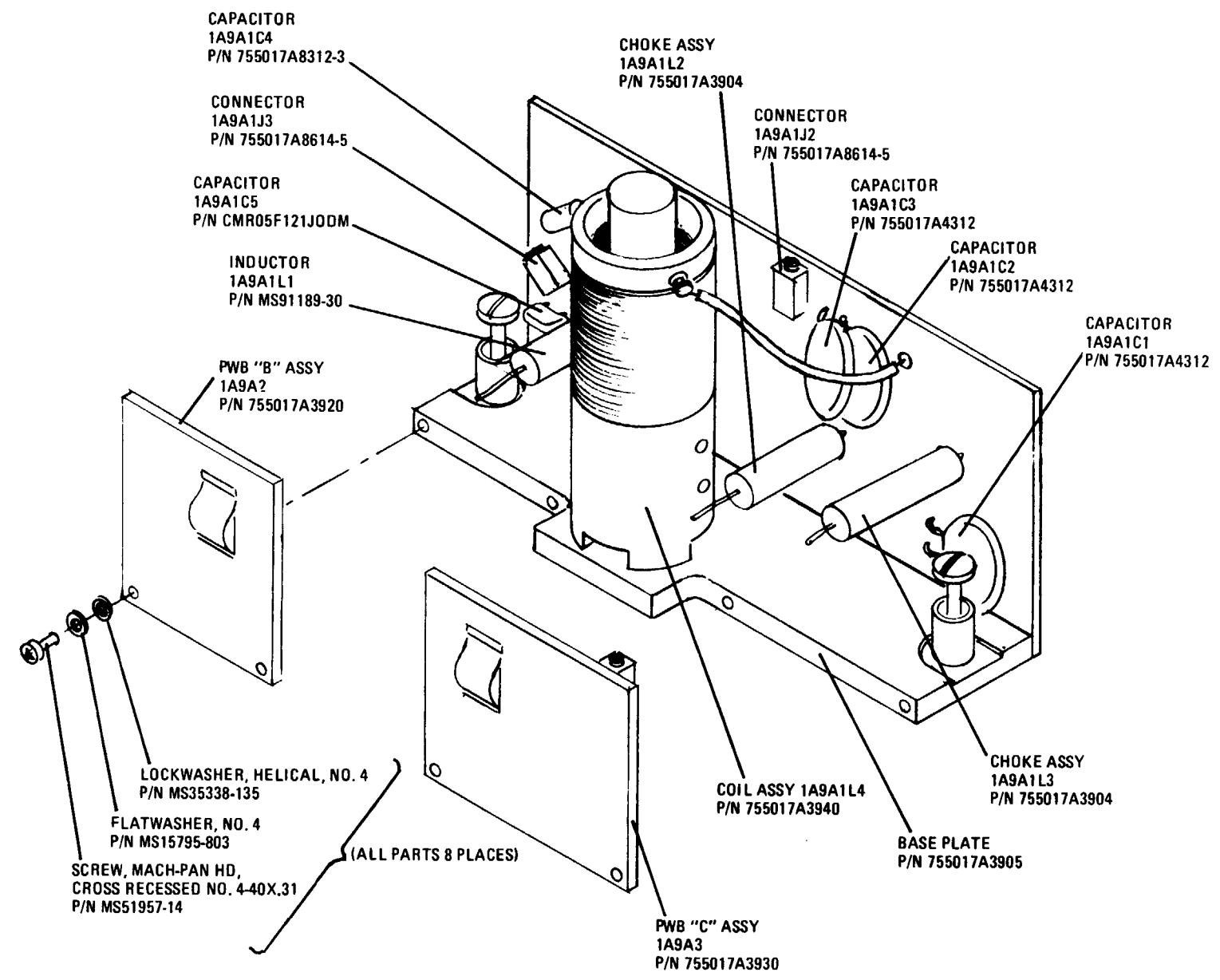
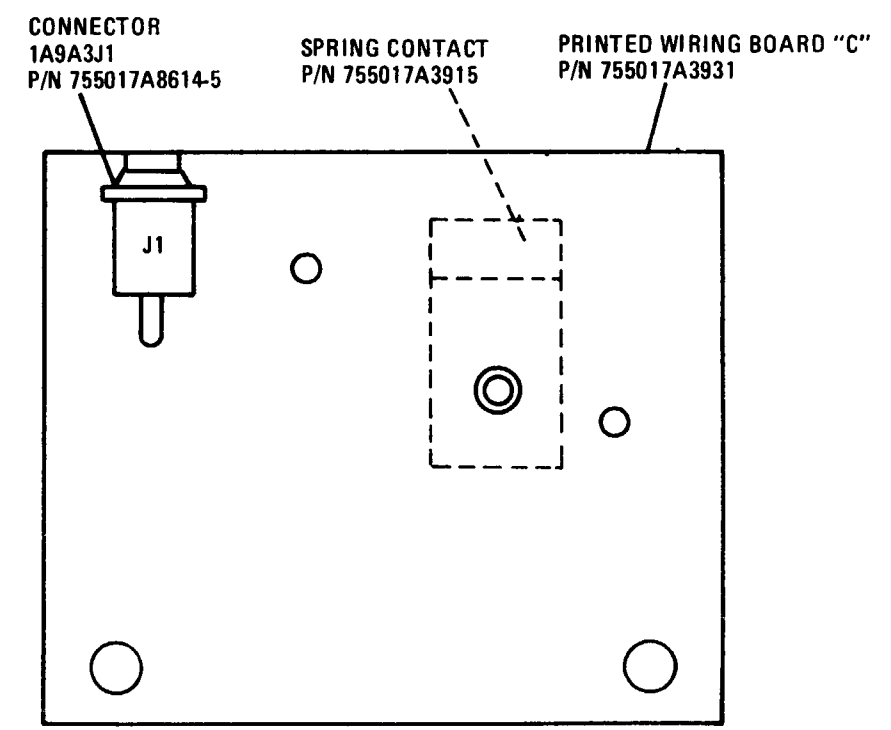


Figure 16. Plate Assembly 1A9, PN 755017A3900 (Sheet 1 of 2)



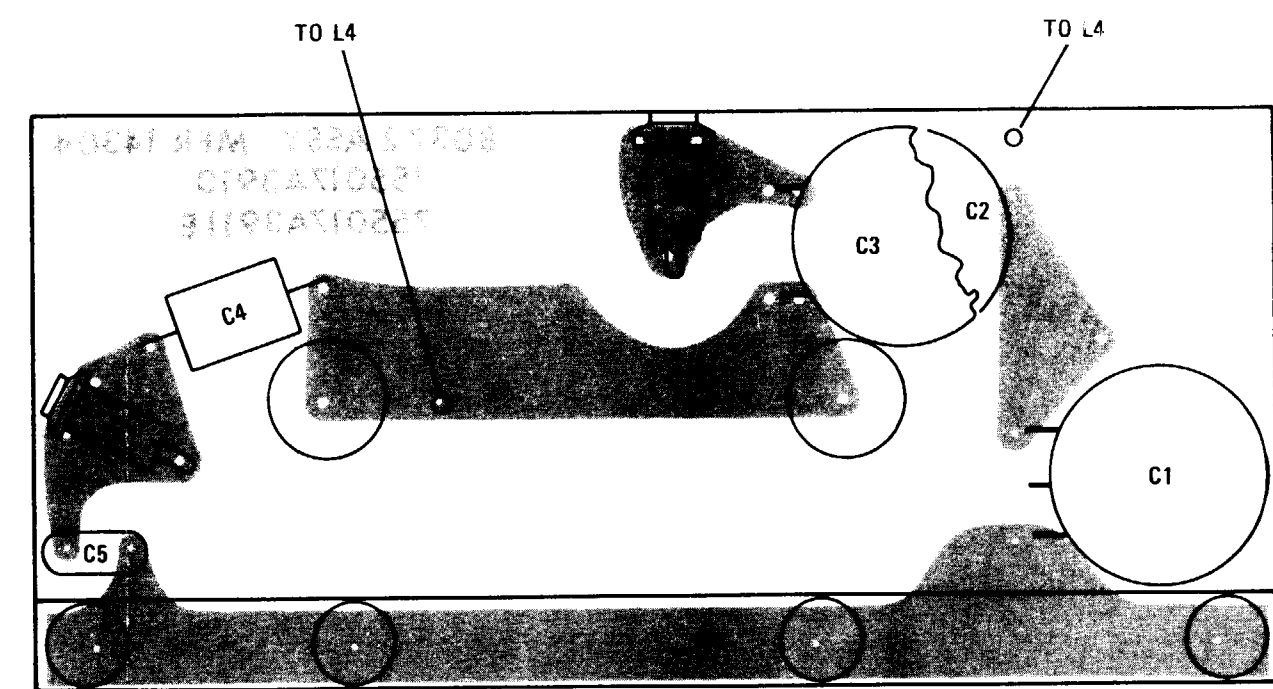
NOTE: PREFIX ALL REFERENCE DESIGNATORS WITH 1A9A2

PWB "B" ASSEMBLY 1A9A2, PN 755017A3920

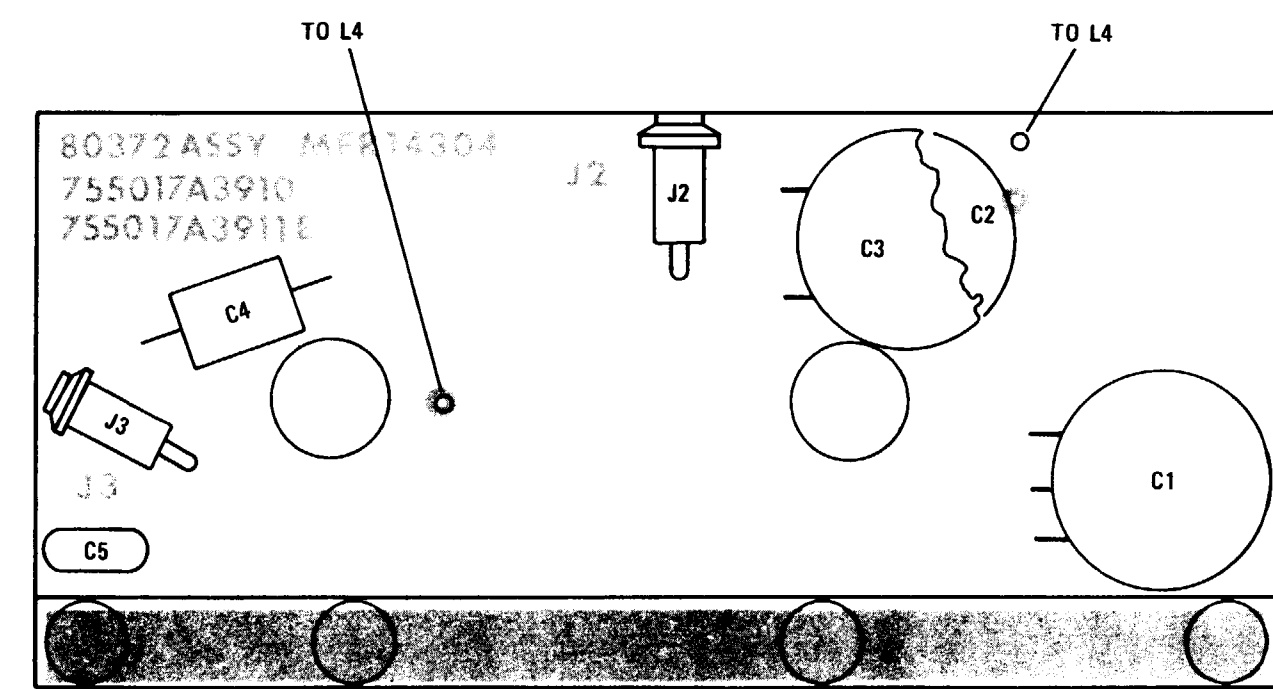


NOTE: PREFIX ALL REFERENCE DESIGNATORS WITH 1A9A3

PWB "C" ASSEMBLY 1A9A3, PN 755017A3930



NOTE: PREFIX ALL REFERENCE DESIGNATORS WITH 1A9A1
 TRACK SIDE OR RUN SIDE



| Ref. Desig. | Name |
|-------------|------------------|
| C | Capacitor |
| J | Connector (Jack) |
| L | Inductor |

NOTE: PREFIX ALL REFERENCE DESIGNATORS WITH 1A9A1

PLATE CHOKES "A" PCB ASSEMBLY 1A9A1, PN 755017A3910

Figure 16. Plate Assembly 1A9, PN 755017A3900 (Sheet 2 of 2)

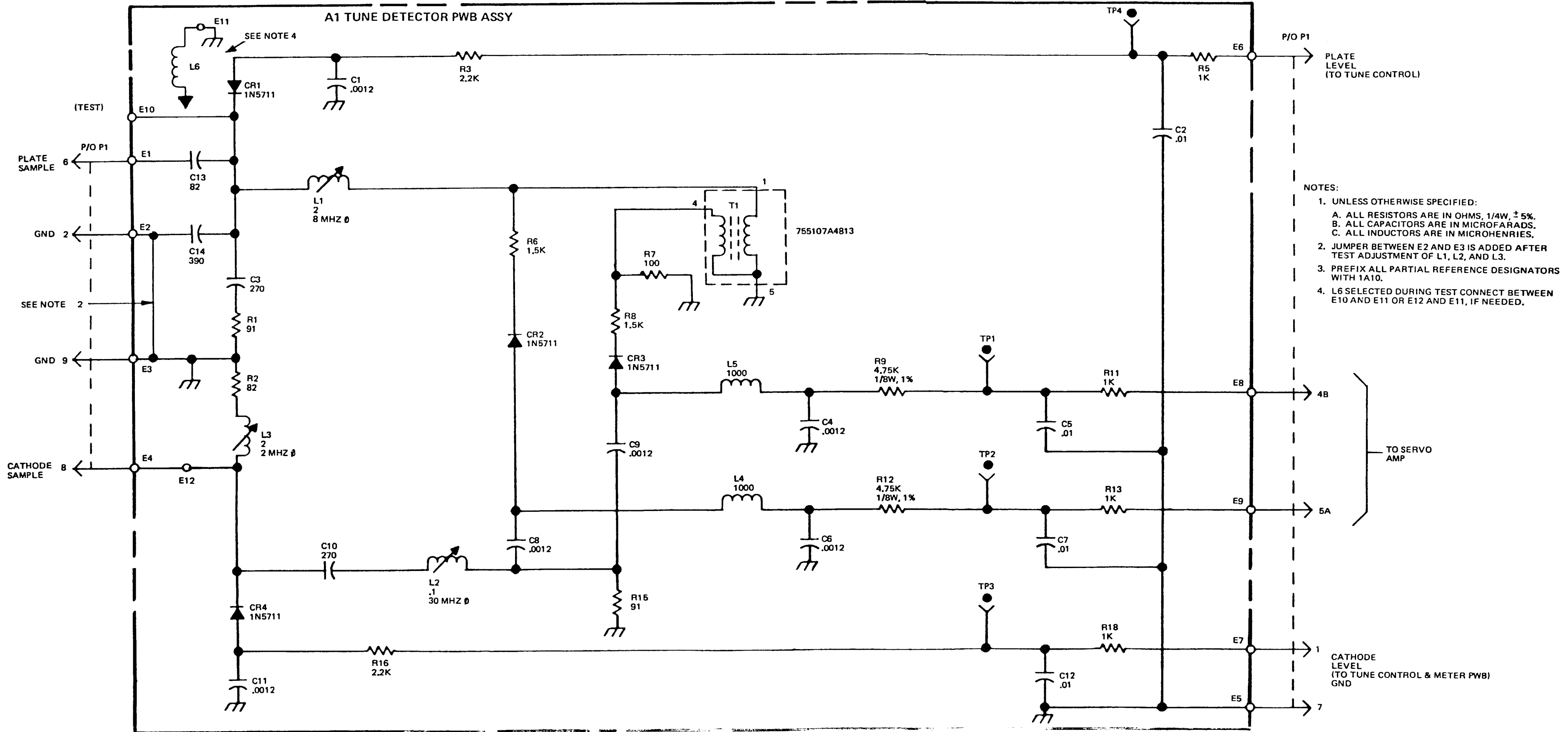
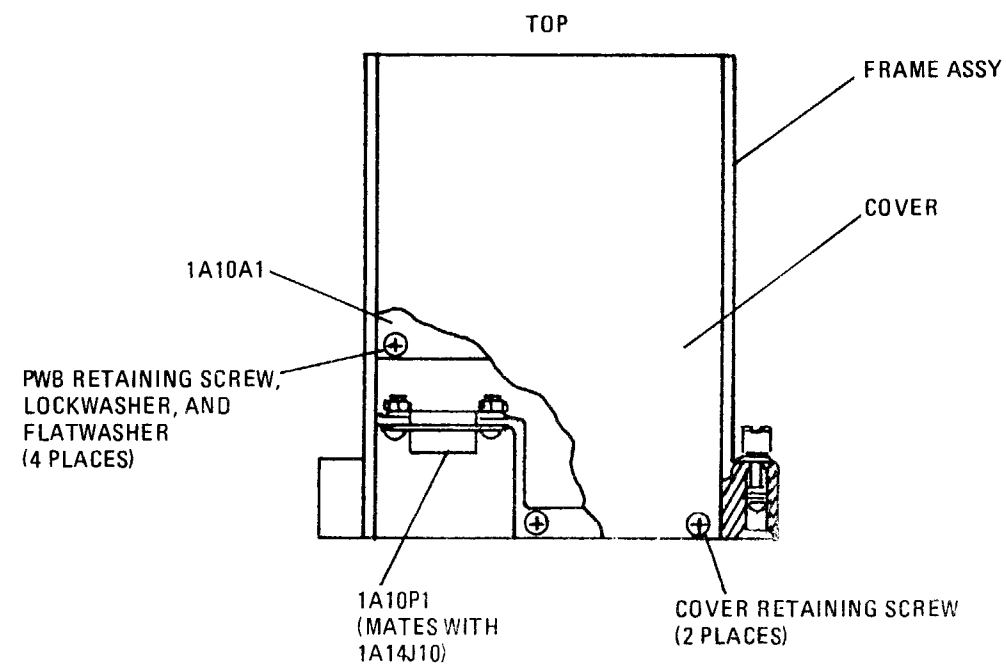
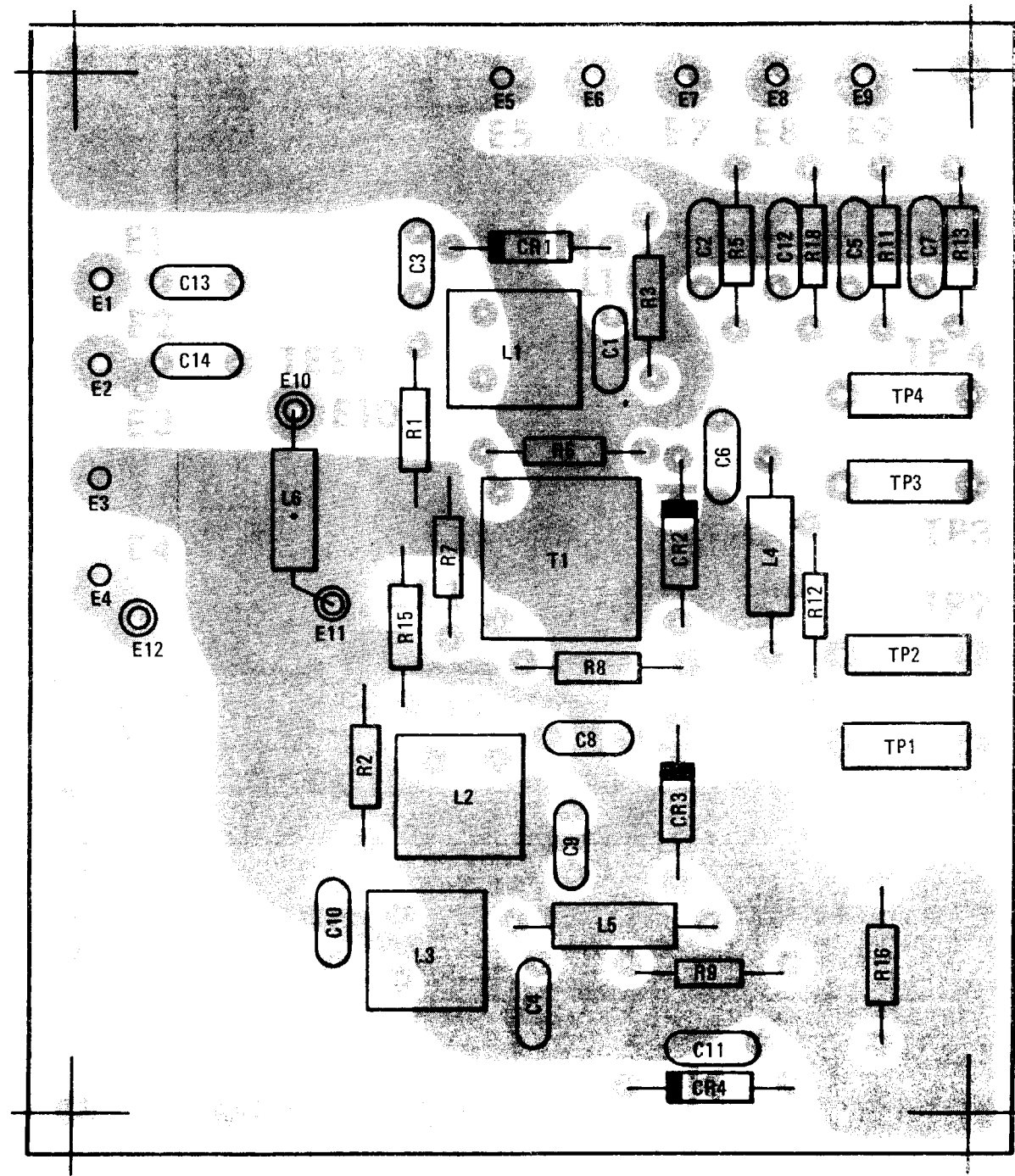


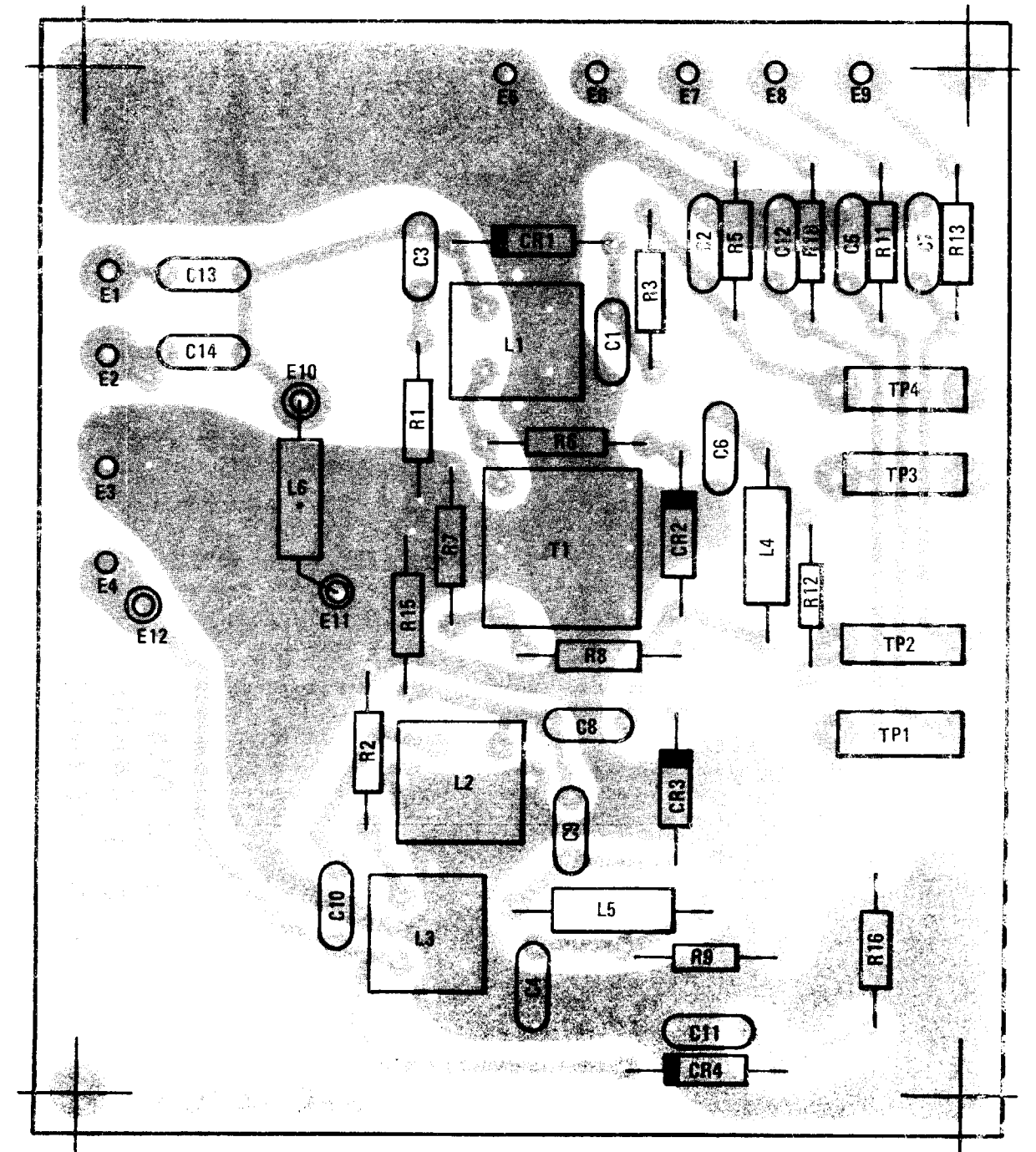
Figure 17. Tune Detector Module Assembly 1A10, PN 755017A4800 (Sheet 1 of 2)



| Ref. Desig. | Name |
|-------------|----------------------------|
| C | Capacitor |
| CR | Diode Semiconductor Device |
| L | Inductor |
| P | Plug (Connector) |
| R | Resistor |
| T | Transformer |
| TP | Test Point |



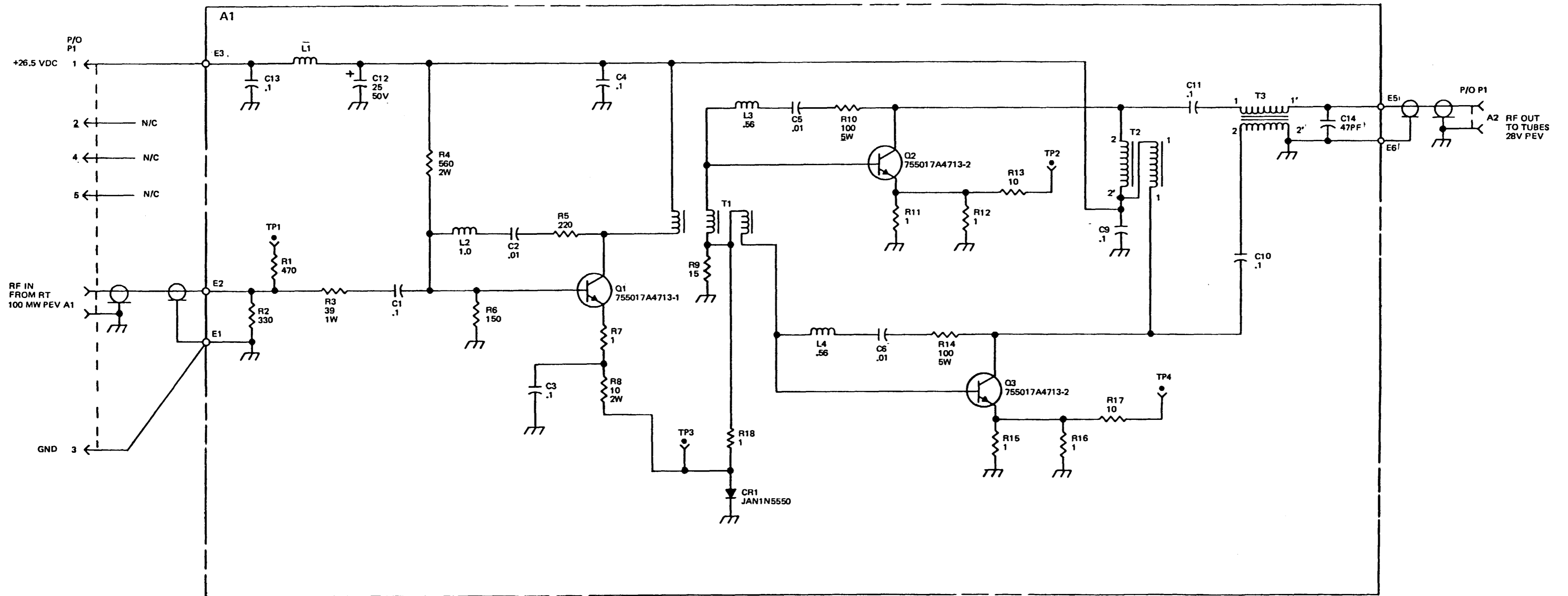
COMPONENT SIDE



TRACK SIDE OR RUN SIDE

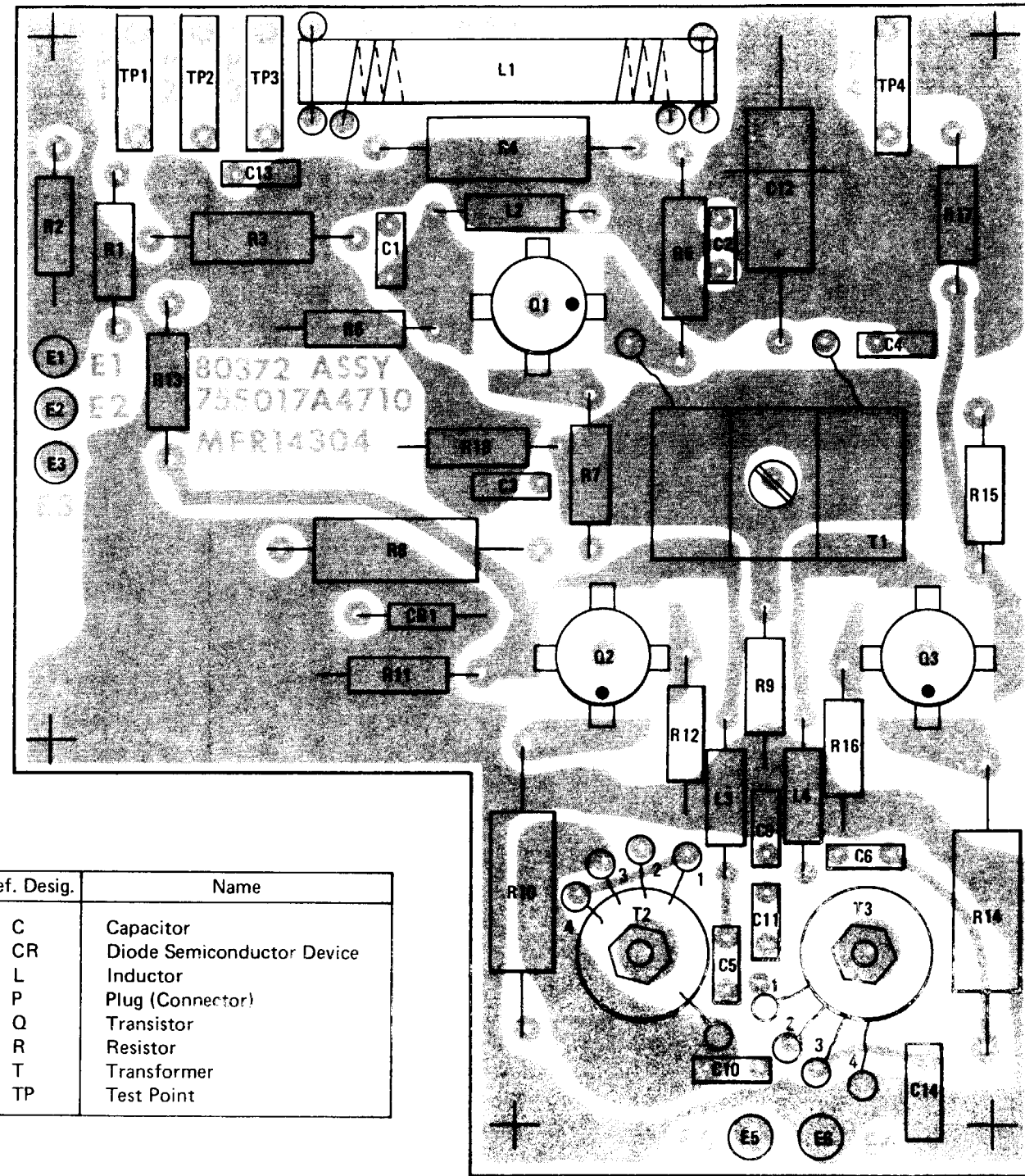
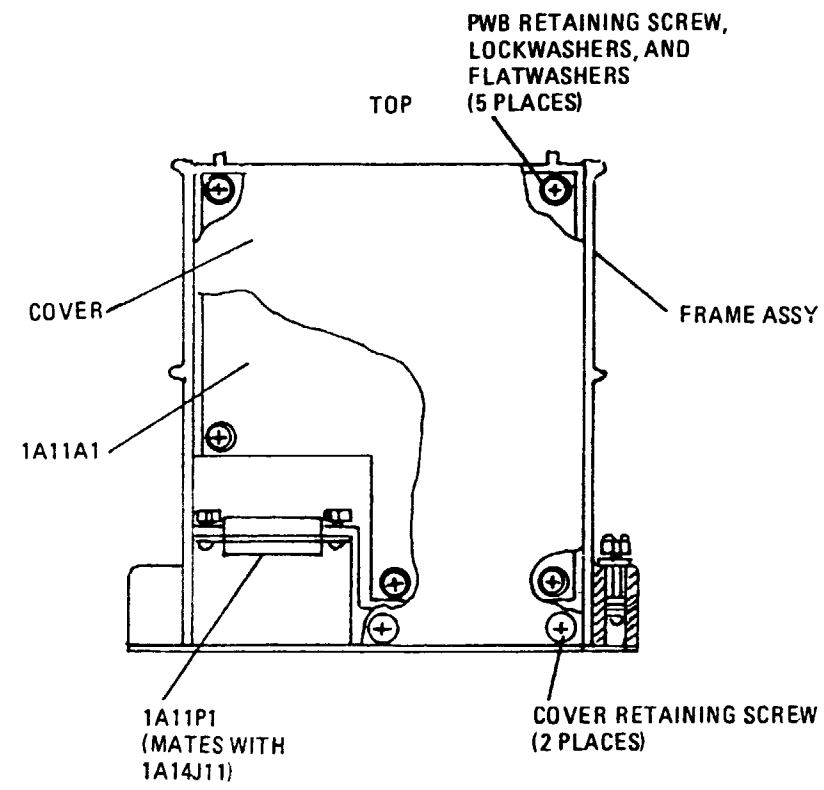
TUNE DETECTOR PWB ASSEMBLY 1A10A1, PN 755017A4810

Figure 17. Tune Detector Module Assembly 1A10, PN 755017A4800 (Sheet 2 of 2)

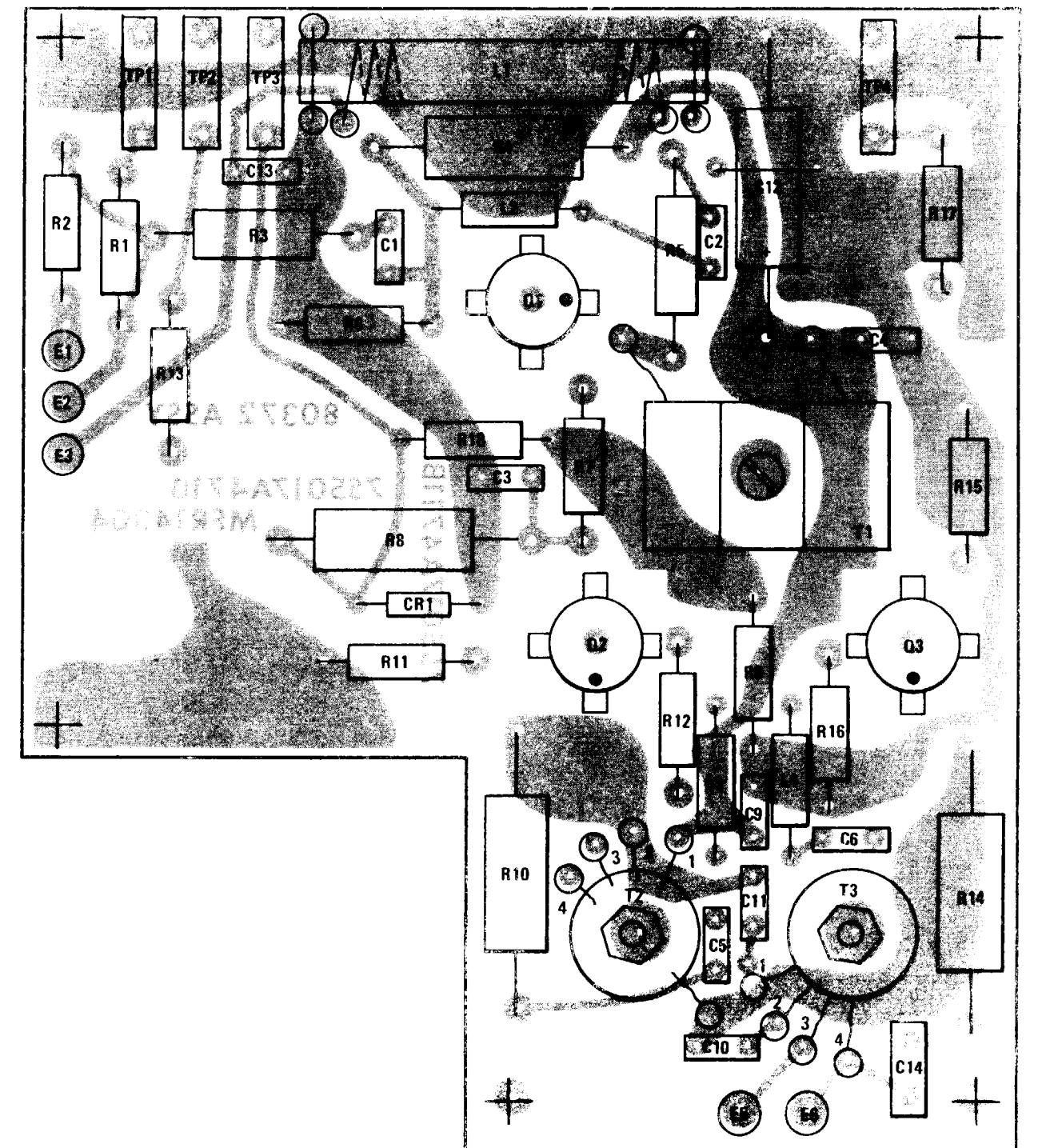


NOTES:
 1. UNLESS OTHERWISE SPECIFIED:
 A. ALL CAPACITANCE VALUES ARE IN MICROFARADS.
 B. ALL INDUCTANCE VALUES ARE IN MICROHENRIES.
 C. ALL RESISTANCE VALUES ARE IN OHMS, 1/2W, 5%.
 2. PREFIX ALL PARTIAL REFERENCE DESIGNATORS WITH 1A11.

Figure 18. RF Driver Module Assembly 1A11, PN 755017A4700 (Sheet 1 of 2)



| Ref. Desig. | Name |
|-------------|----------------------------|
| C | Capacitor |
| CR | Diode Semiconductor Device |
| L | Inductor |
| P | Plug (Connector) |
| Q | Transistor |
| R | Resistor |
| T | Transformer |
| TP | Test Point |



COMPONENT SIDE

TRACK SIDE OR RUN SIDE

RF DRIVER MODULE PWB ASSEMBLY 1A111, PN 755017A4710

Figure 18. RF Driver Module Assembly 1A11, PN 755017A4700 (Sheet 2 of 2)

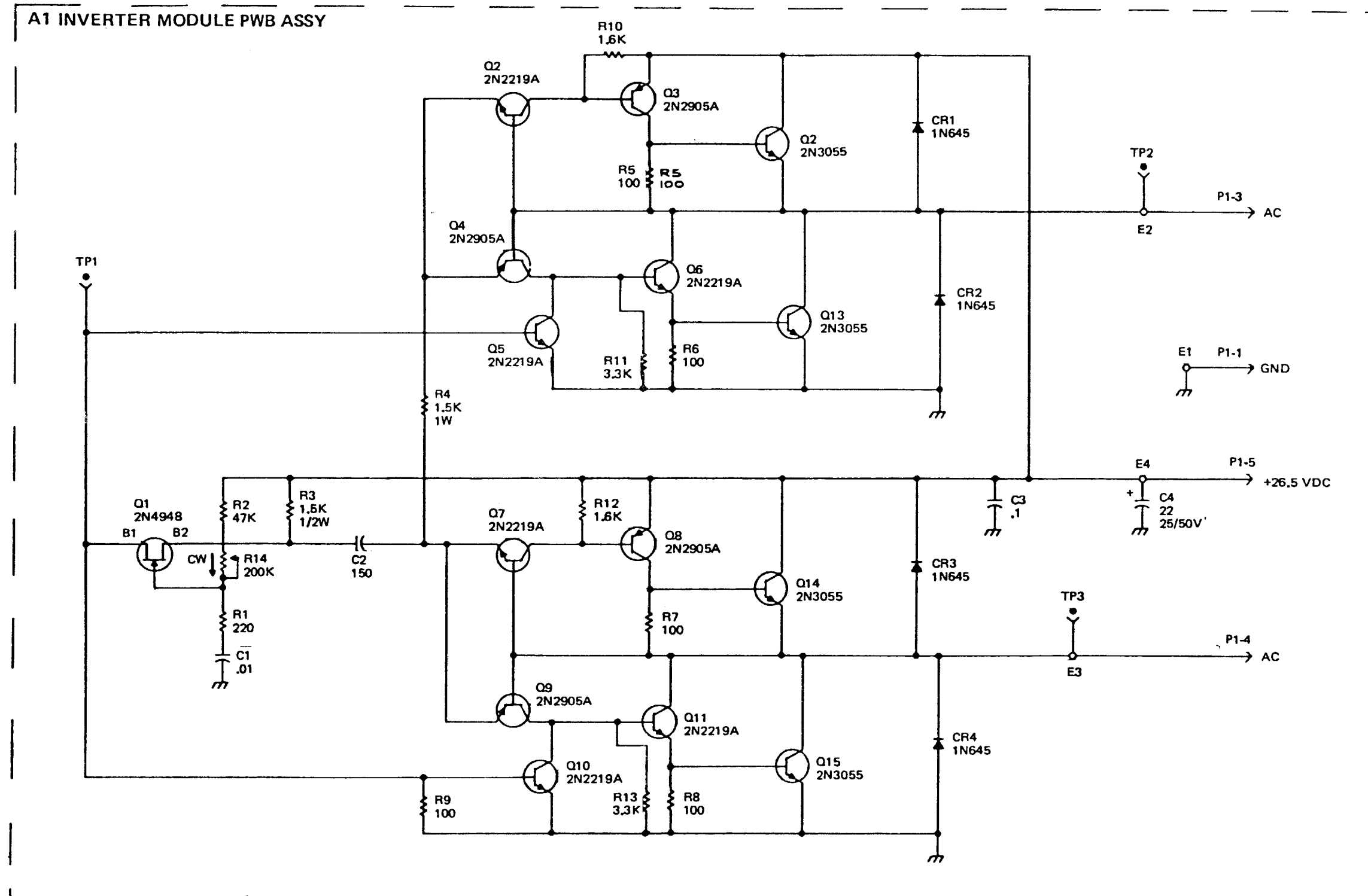
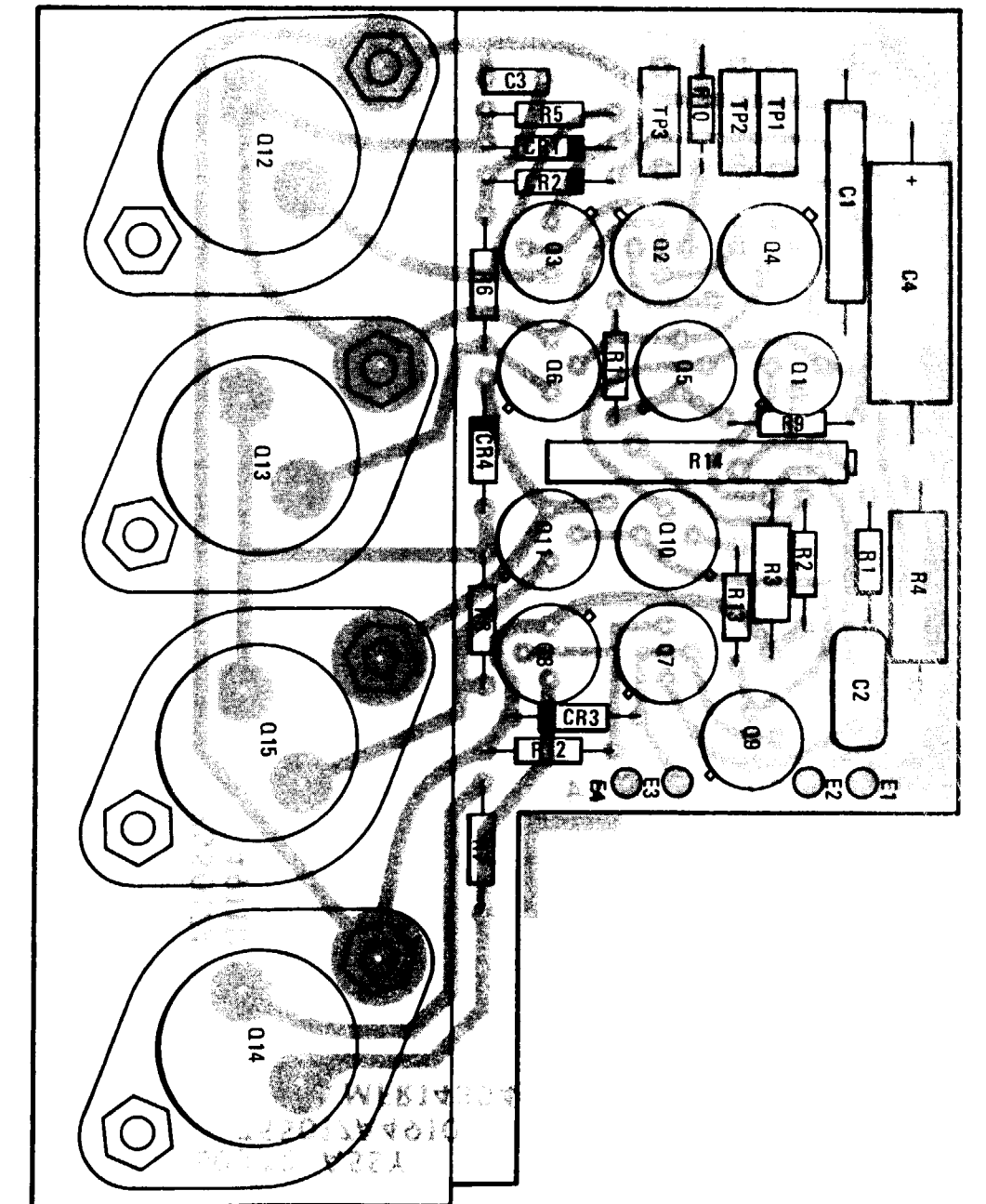
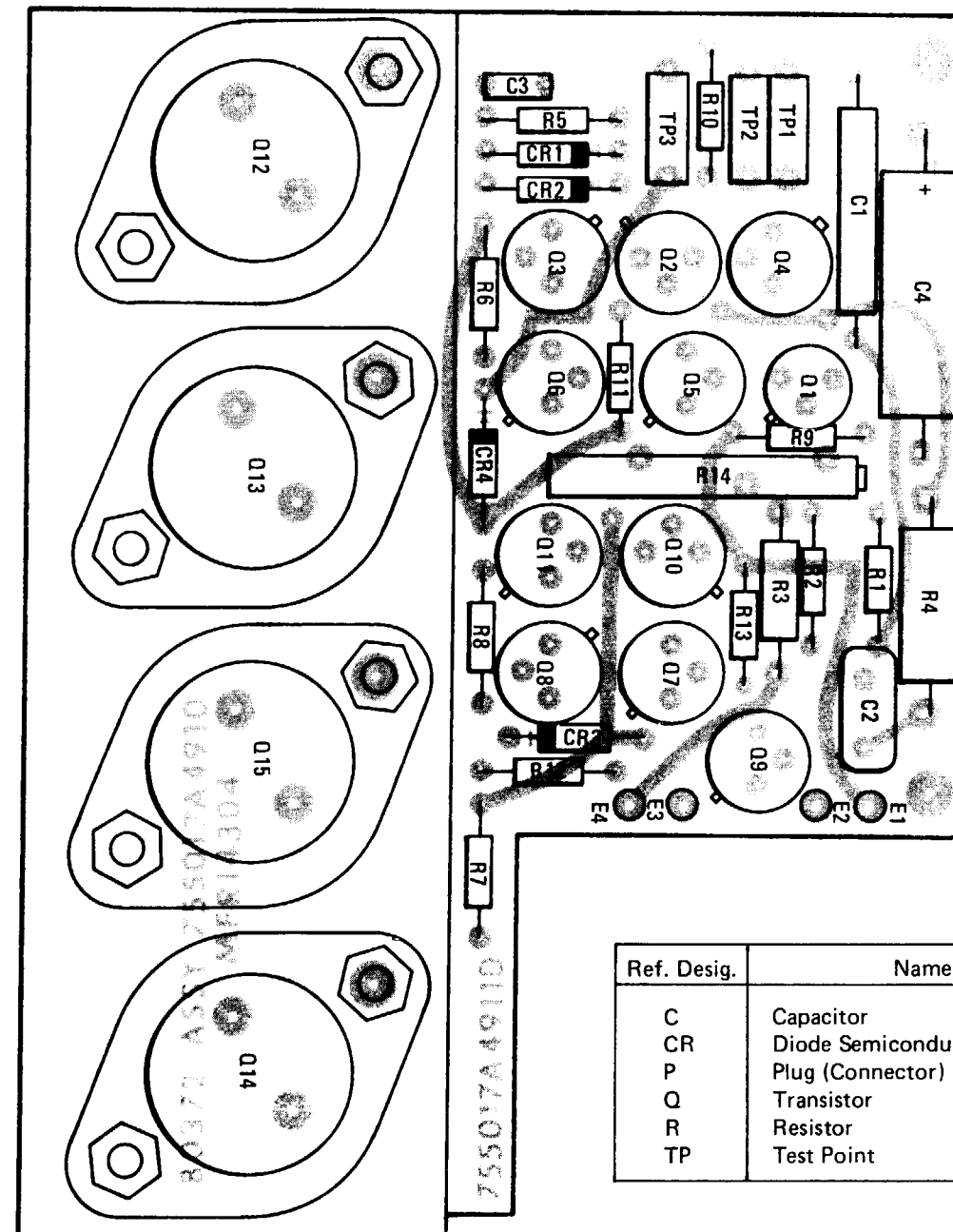
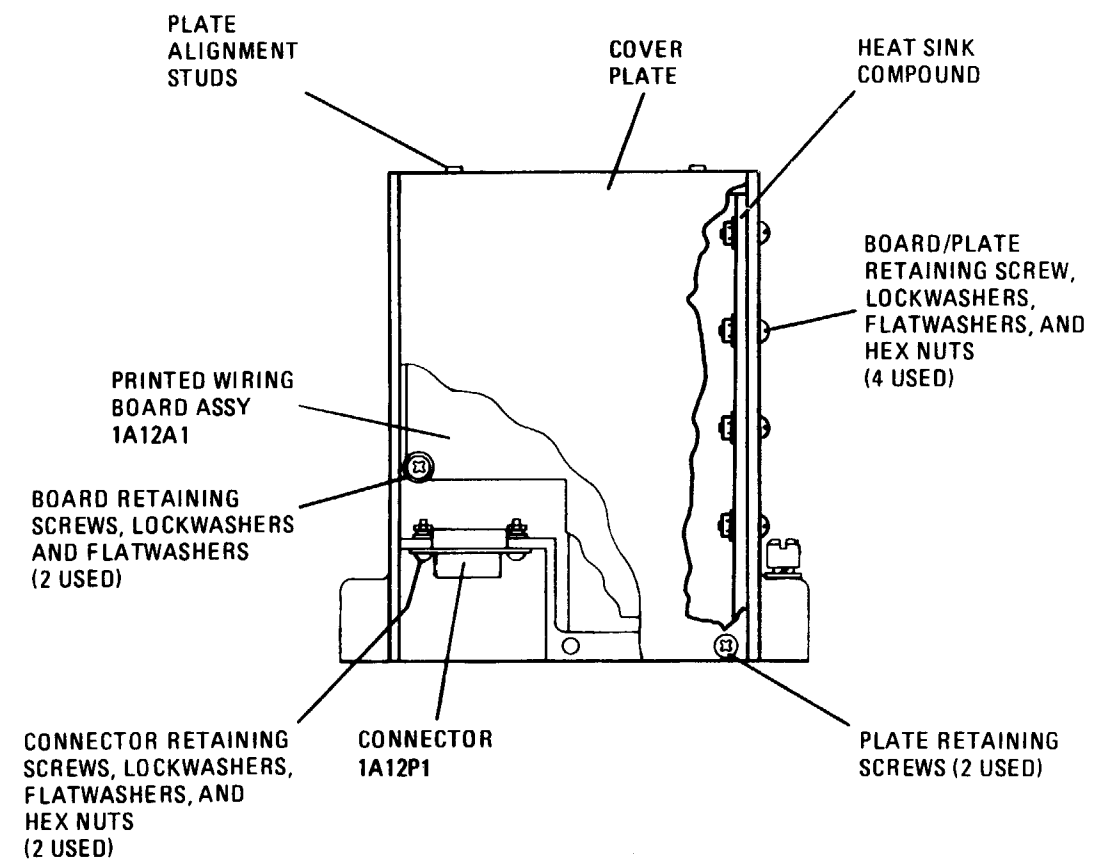


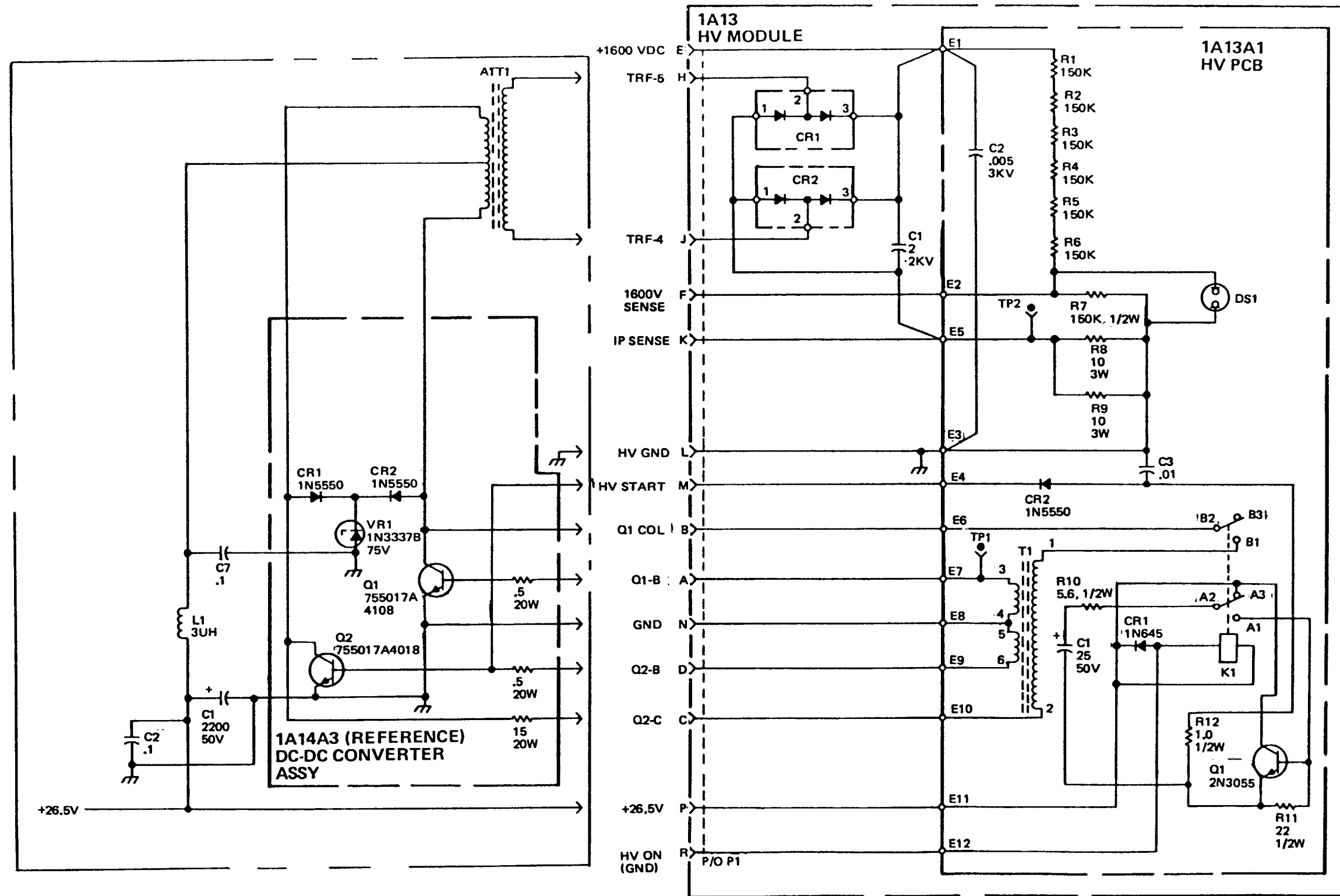
Figure 19. Static Power Inverter Assembly 1A12, PN 755017A4900 (Sheet 1 of 2)



TRACK SIDE OR RUN SIDE

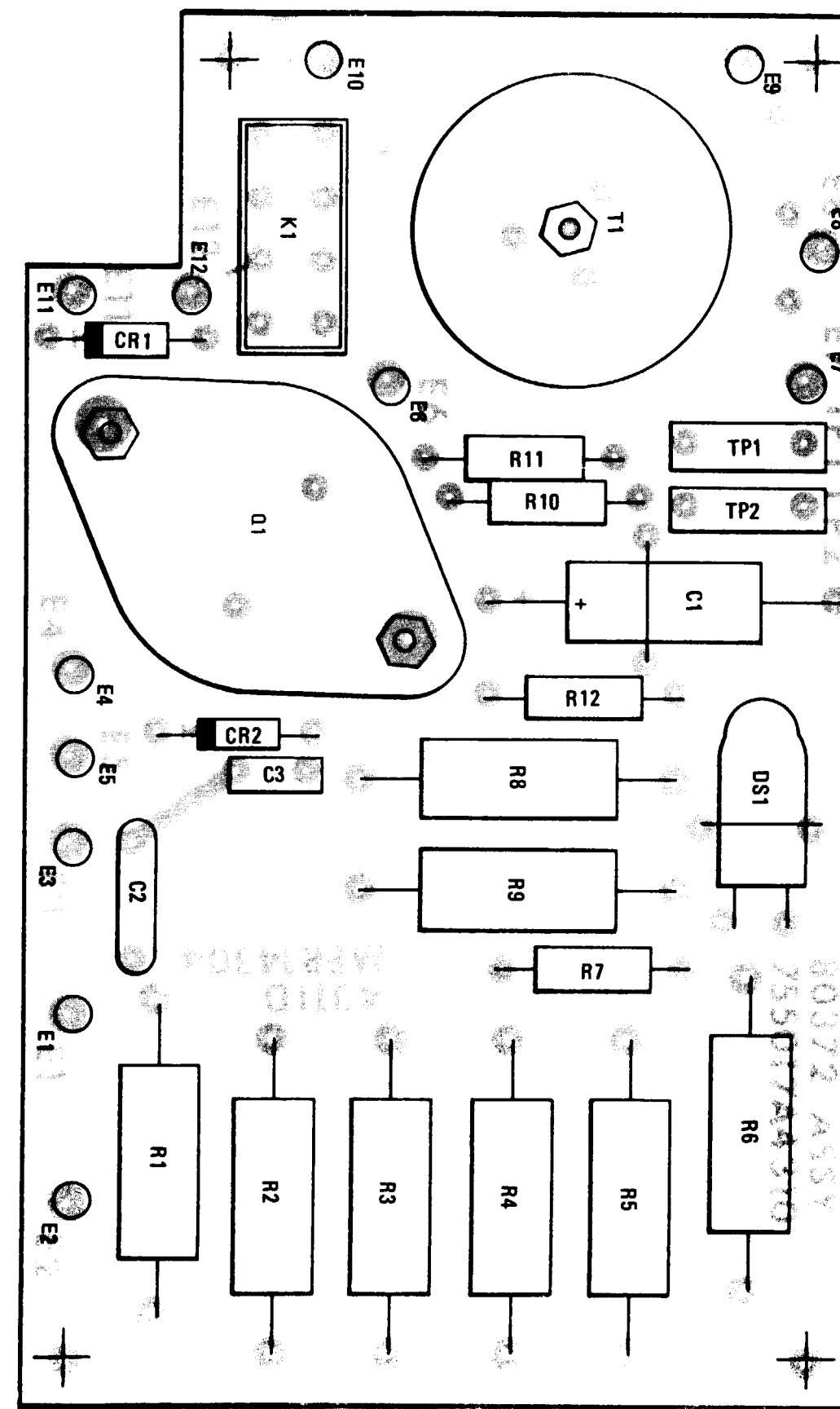
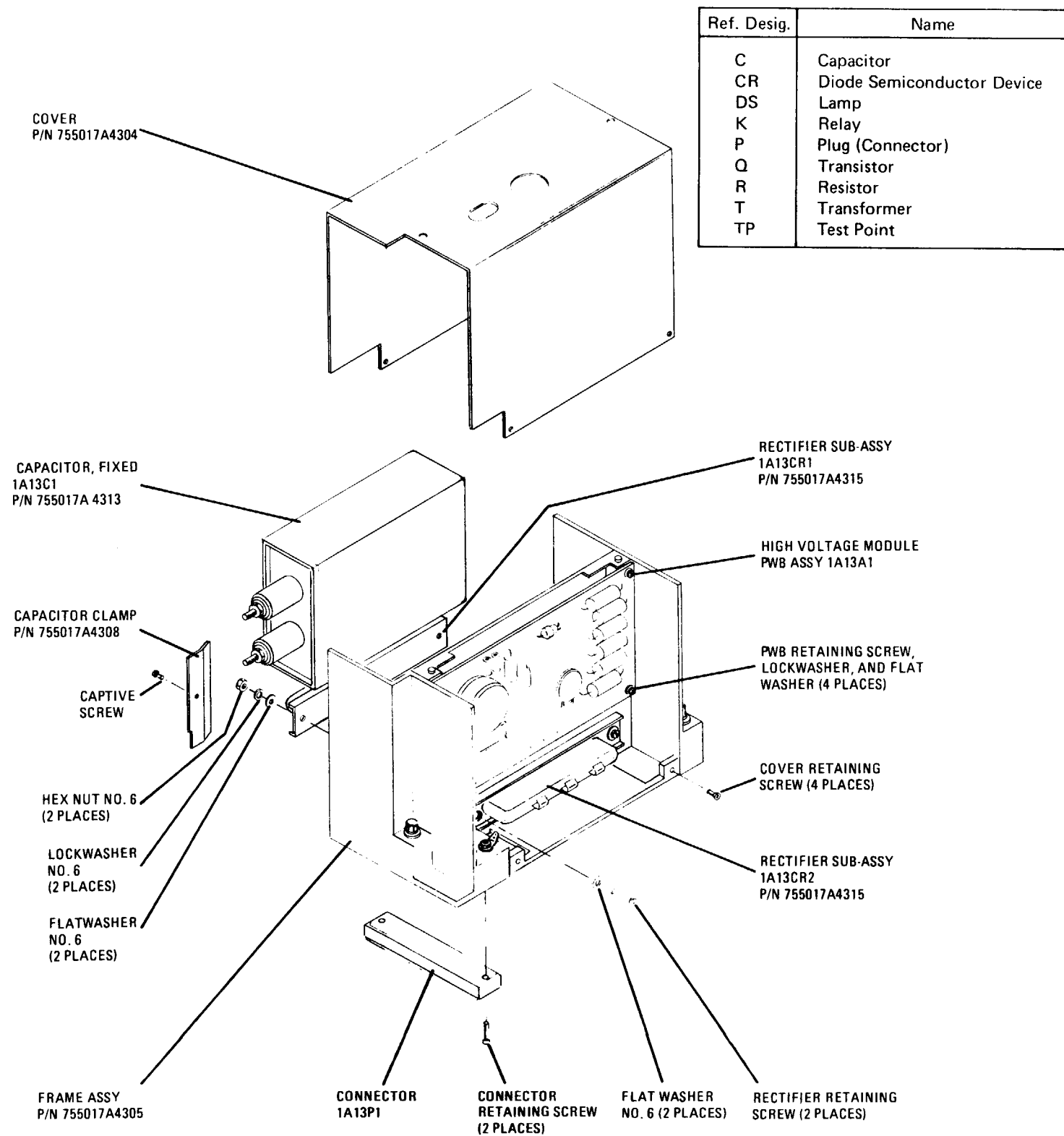
INVERTER MODULE PWB ASSEMBLY 1A12A1, PN 755017A4910

Figure 19. Static Power Inverter Assembly 1A12, PN 755017A4900 (Sheet 2 of 2)



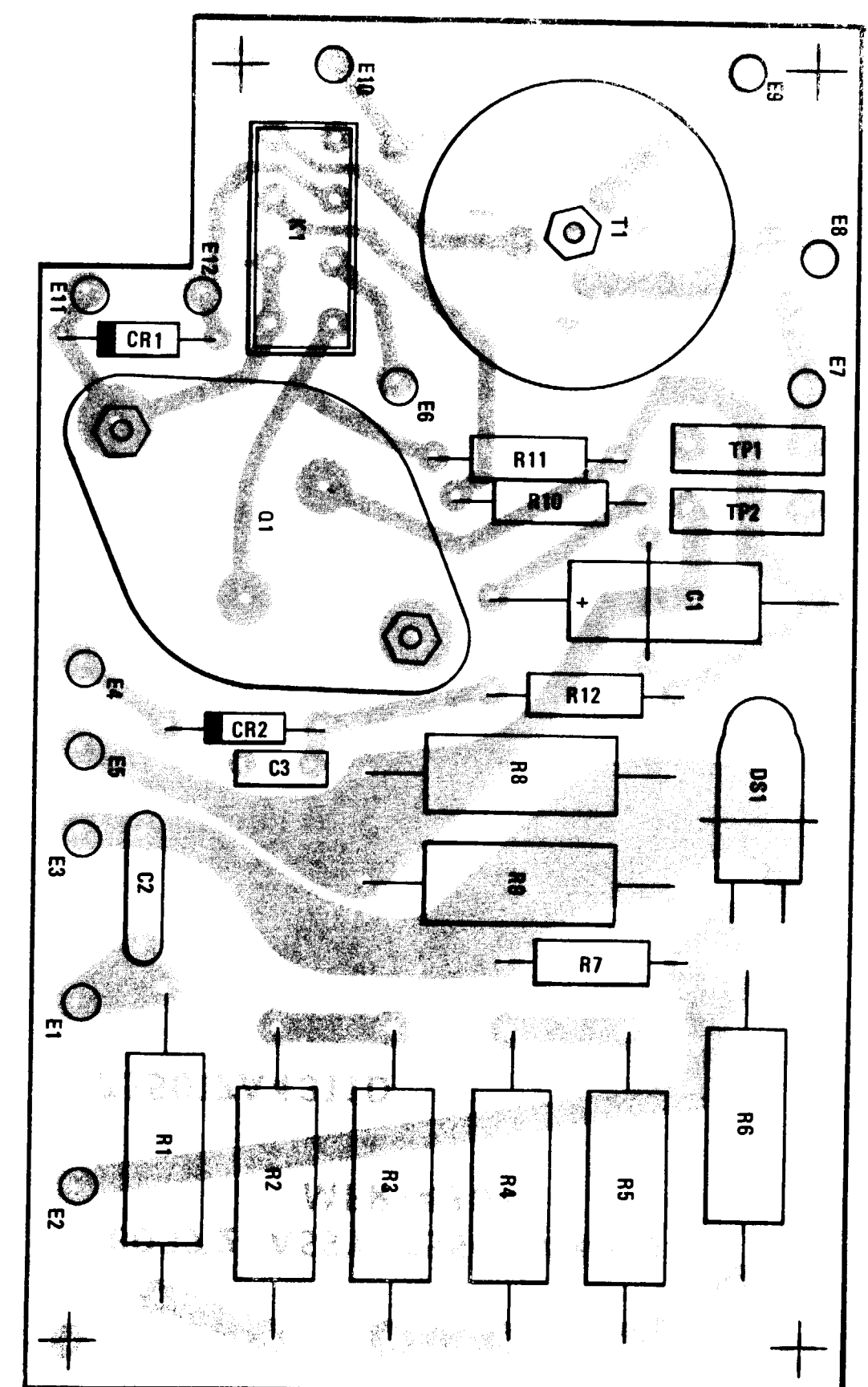
- NOTES:
- UNLESS OTHERWISE SPECIFIED:
 - ALL RESISTORS ARE IN OHMS, 2W, 5%.
 - ALL CAPACITORS ARE IN MICROFARADS.
 - PREFIX ALL PARTIAL REFERENCE DESIGNATORS WITH 1A13.

Figure 20. High Voltage Module Assembly 1A13, PN 755017A4300 (Sheet 1 of 2)



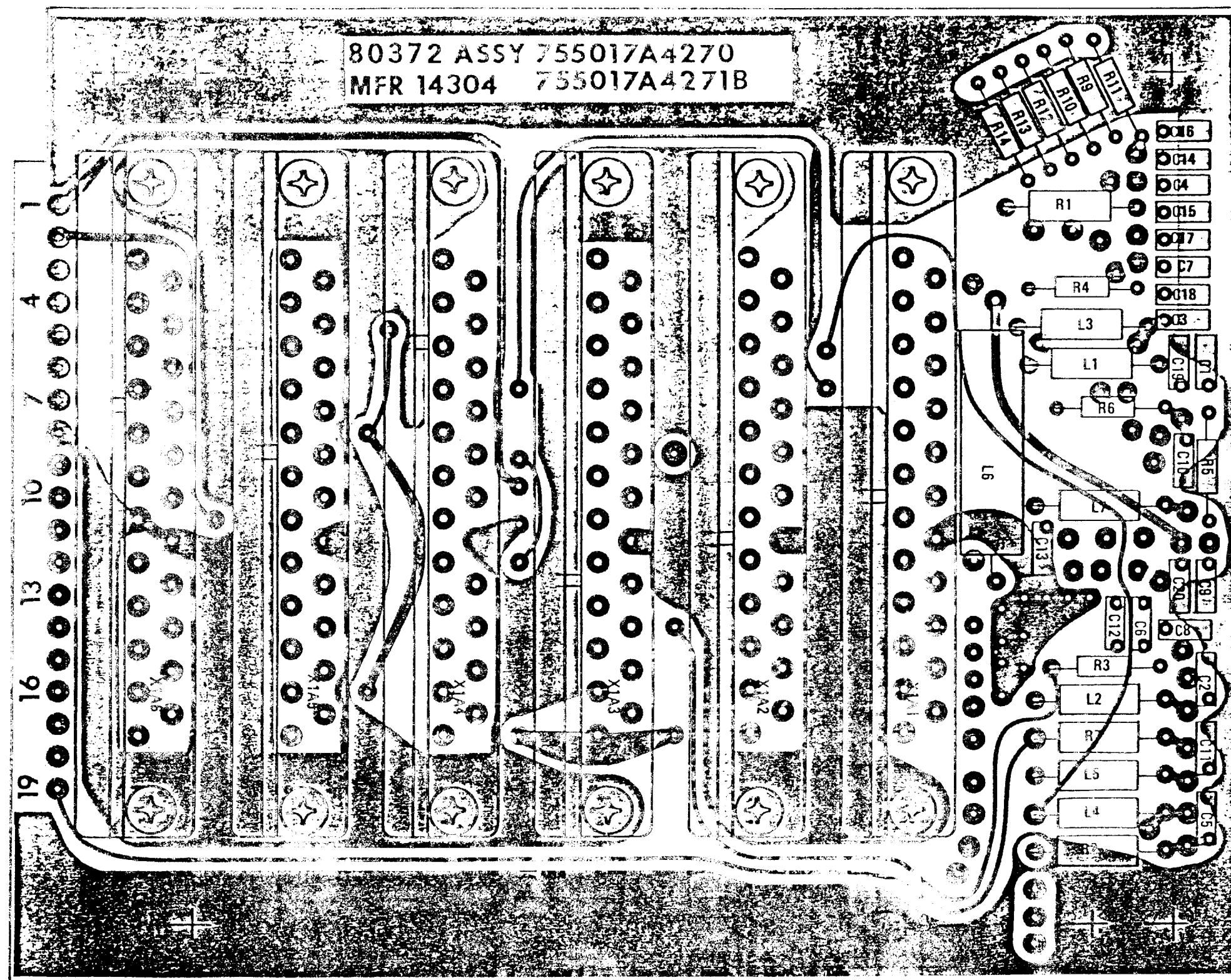
COMPONENT SIDE

HIGH VOLTAGE MODULE PWB ASSEMBLY 1A13A1, PN 755017A4310



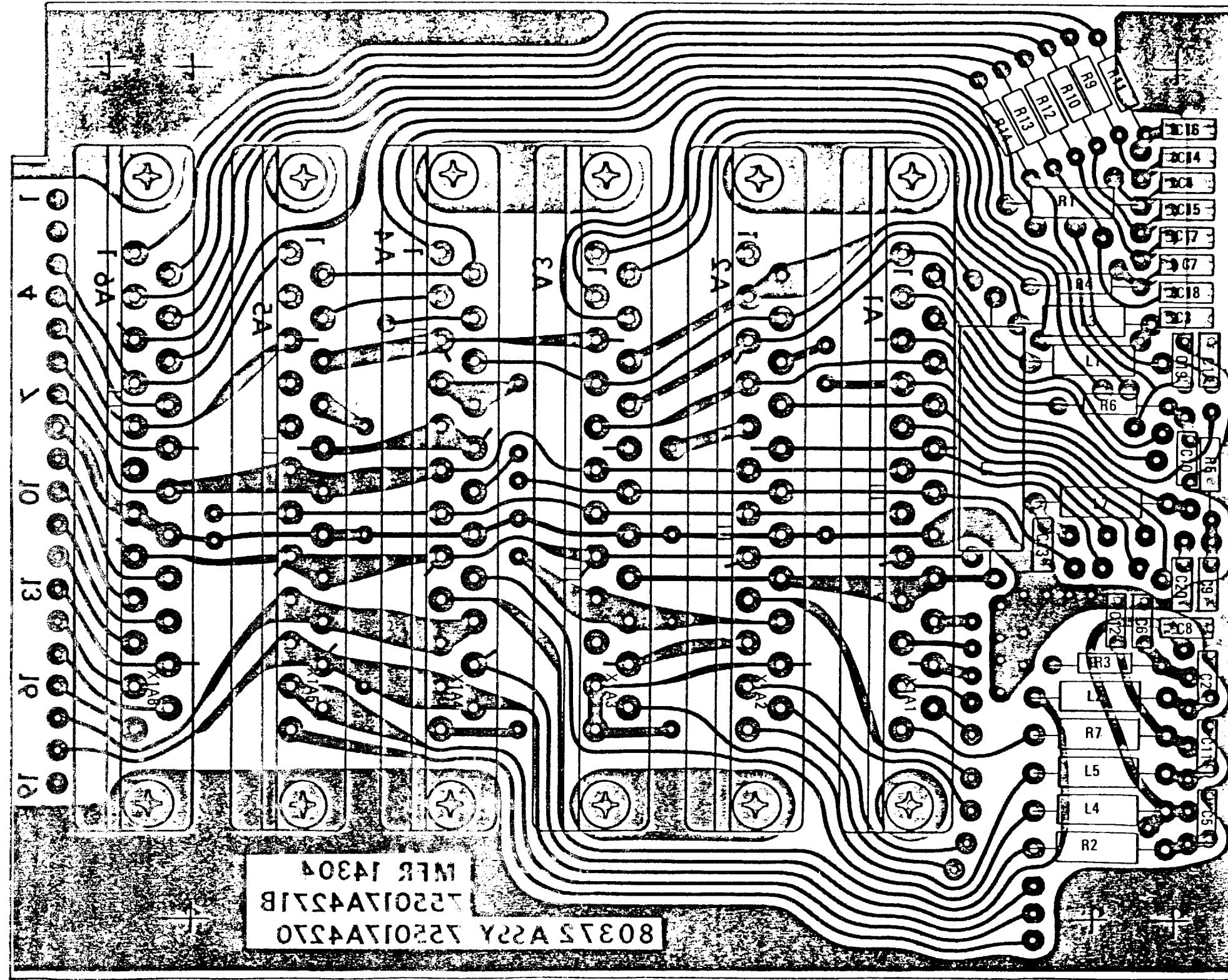
TRACK SIDE OR RUN SIDE

Figure 20. High Voltage Module Assembly 1A13, PN 755017A4300 (Sheet 2 of 2)



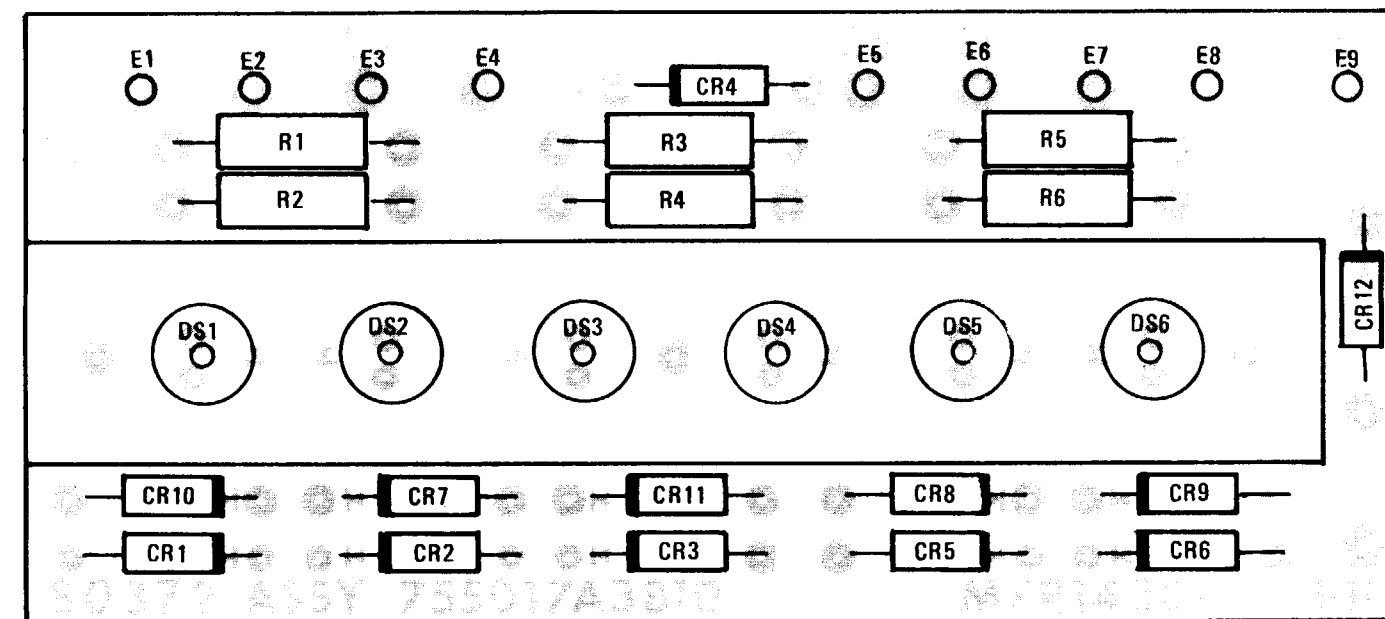
COMPONENT SIDE

| Ref. Desig. | Name |
|-------------|-----------|
| C | Capacitor |
| L | Inductor |
| R | Resistor |
| X | Socket |

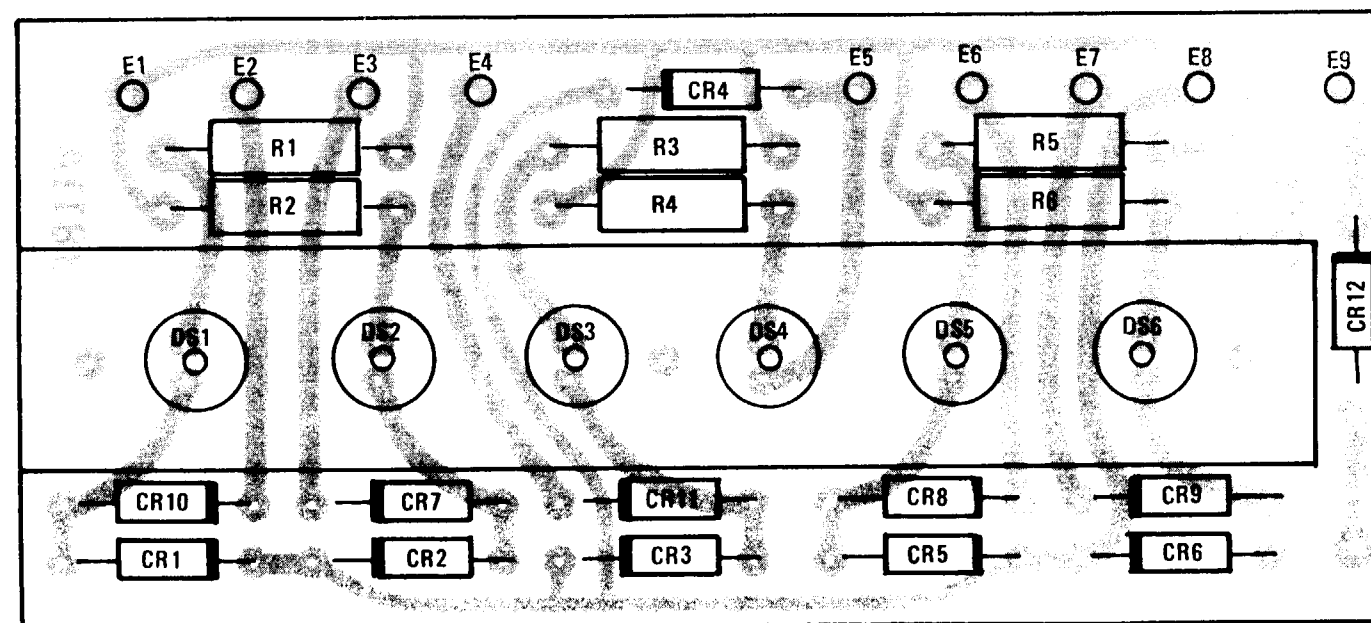


TRACK SIDE OR RUN SIDE

Figure 21. Interconnection PCB Assembly 1A14A1, PN 755017A4270



COMPONENT SIDE



TRACK SIDE OR RUN SIDE

Figure 22. Indicator Assembly 1A14A4, PN 755017A3800

| Ref. Desig. | Name |
|-------------|----------------------------|
| C | Capacitor |
| CR | Diode Semiconductor Device |
| L | Inductor |
| R | Resistor |

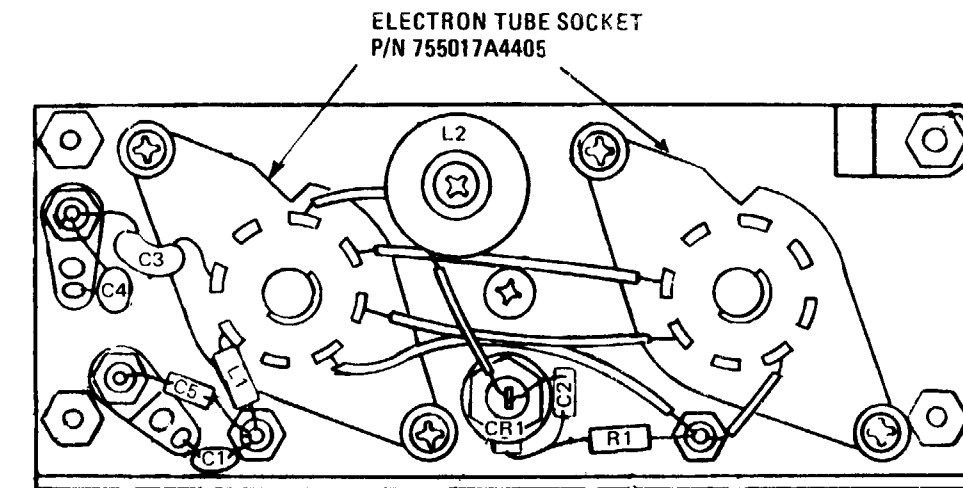


Figure 23. Tube Socket Assembly 1A14A2, PN 755017A4400

| Ref. Desig. | Name |
|-------------|----------------------------|
| CR | Diode Semiconductor Device |
| Q | Transistor |
| R | Resistor |
| S | Switch |
| VR | Voltage Regulator |

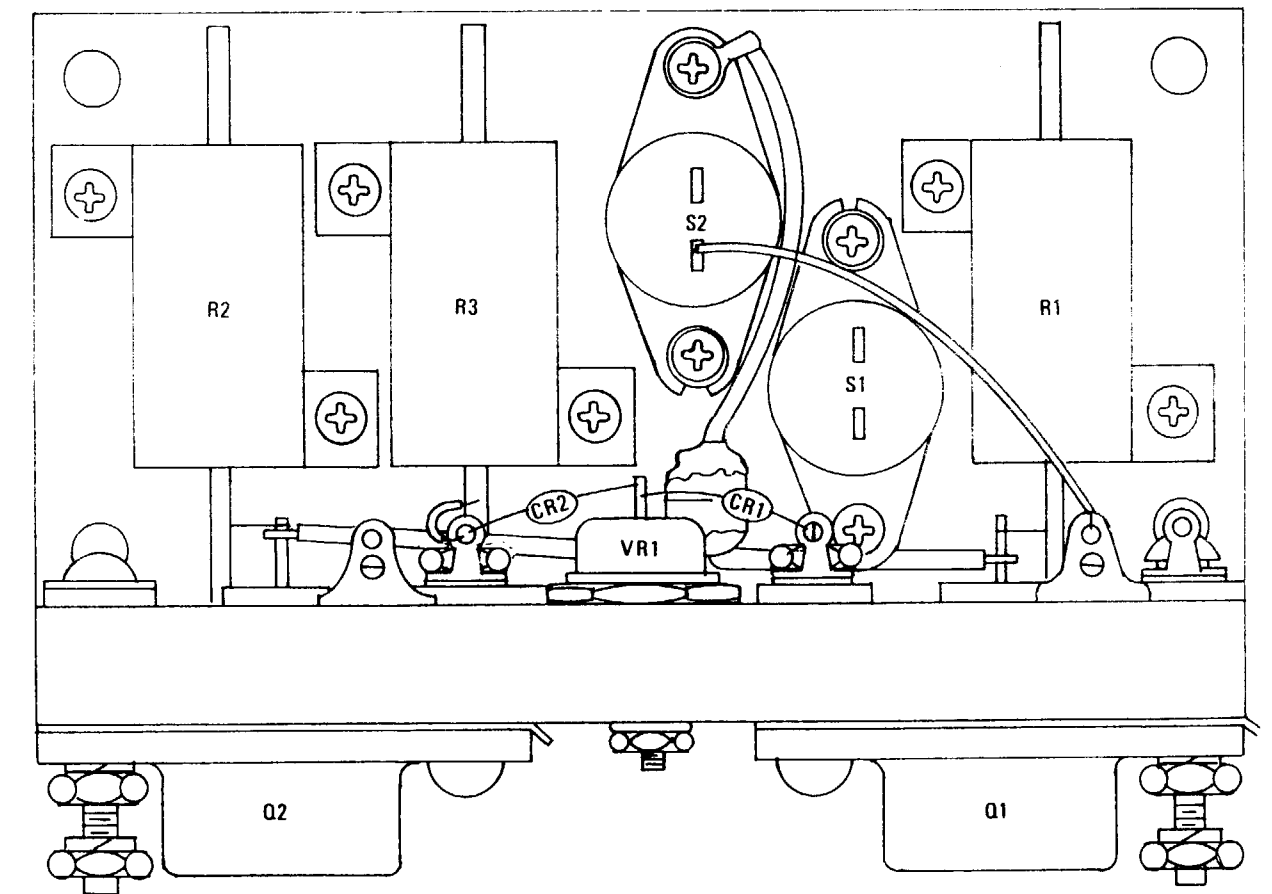


Figure 24. DC-DC Converter Assembly 1A14A3, PN 755017A4100

| Ref. Desig. | Name |
|-------------|----------------------------|
| CR | Diode Semiconductor Device |
| DS | Lamp |
| R | Resistor |

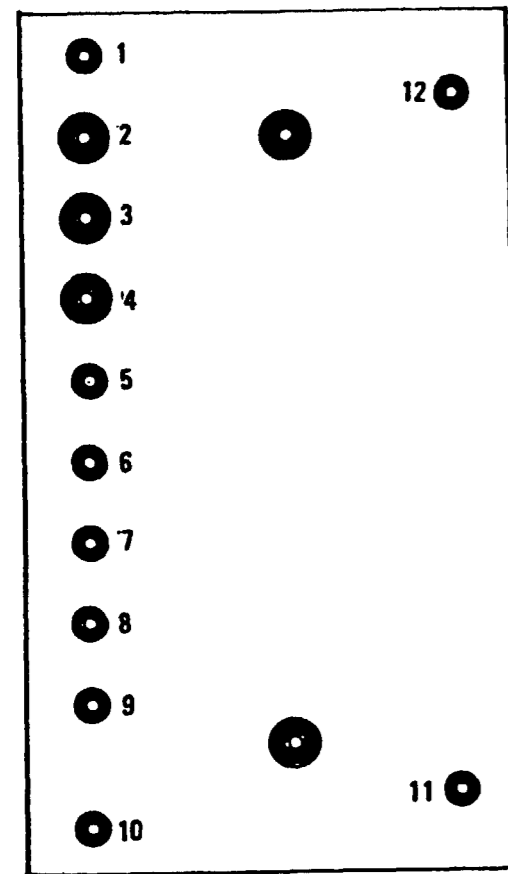


Figure 25. Junction Block PWB Assembly 1A14A5, PN 755017A4041

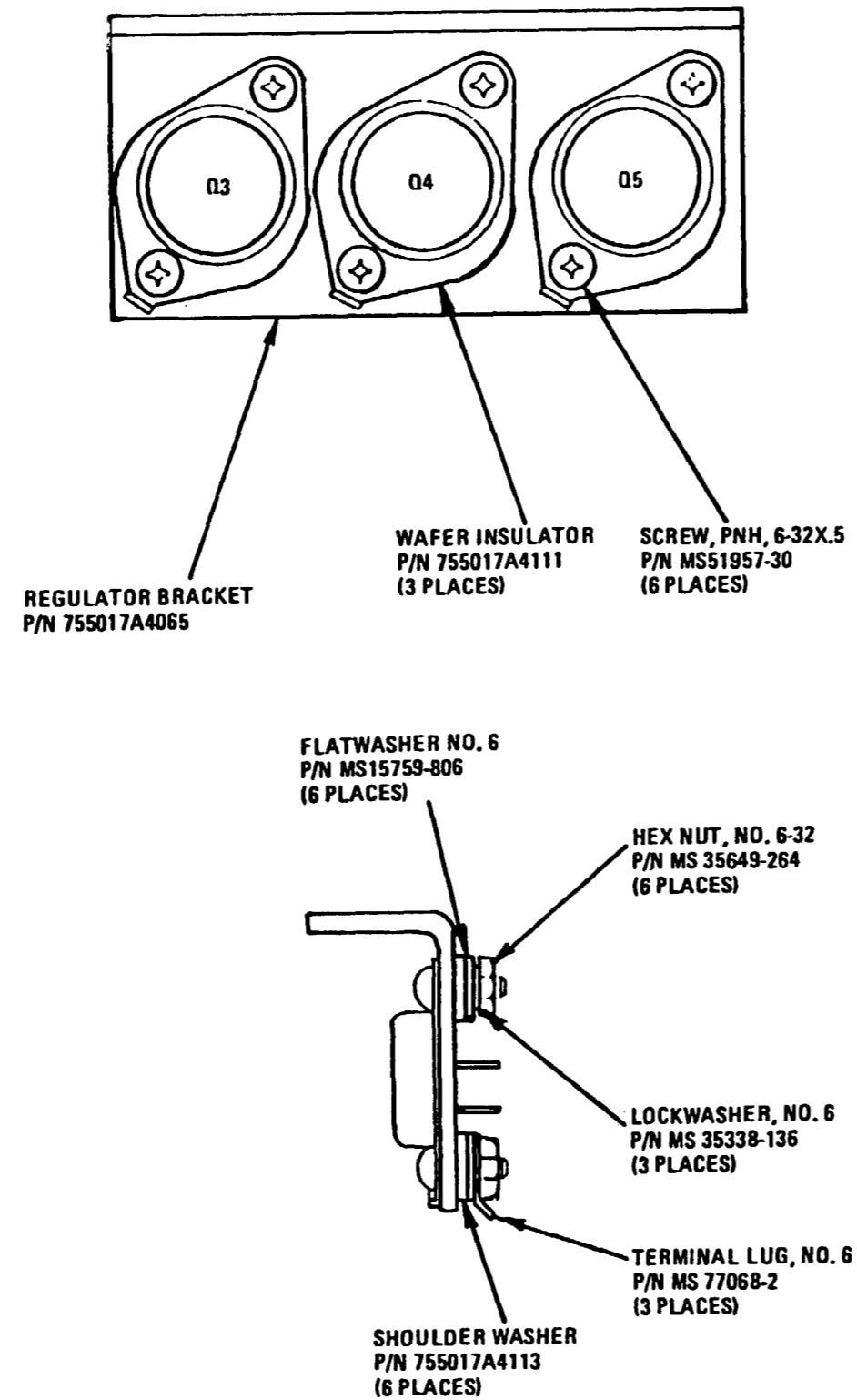


Figure 26. Regulator Assembly 1A14A6, PN 755017A4031

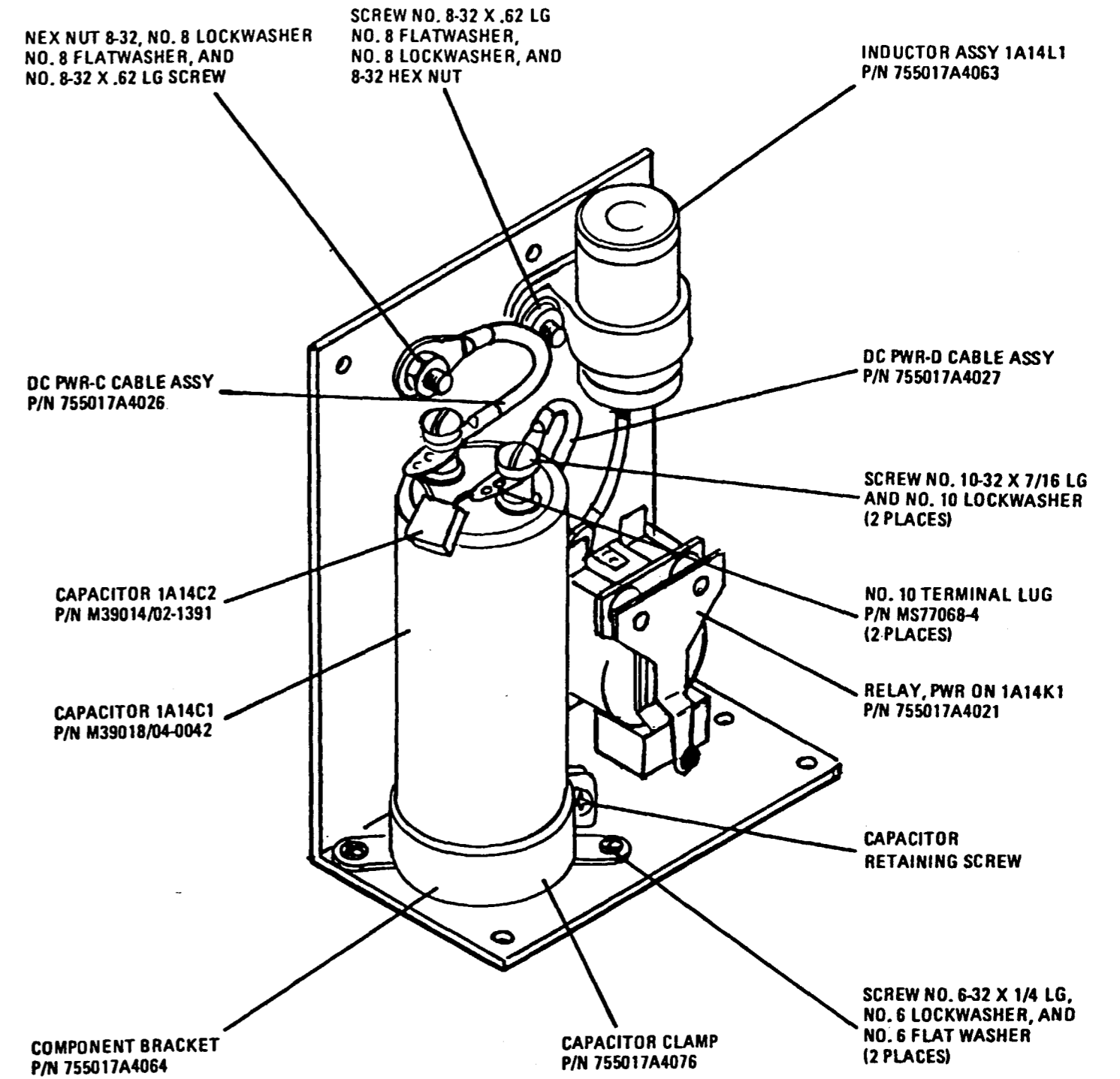
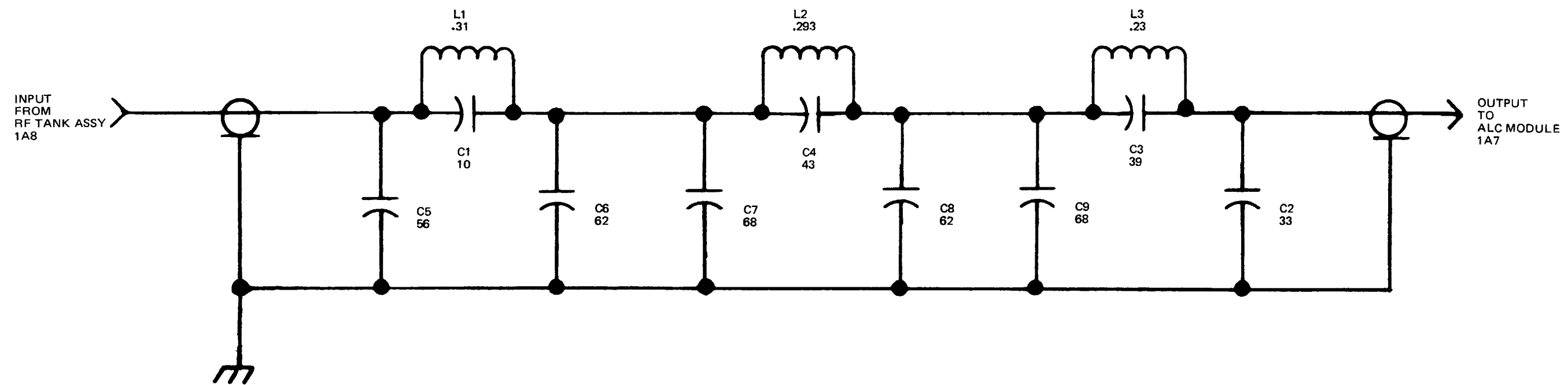
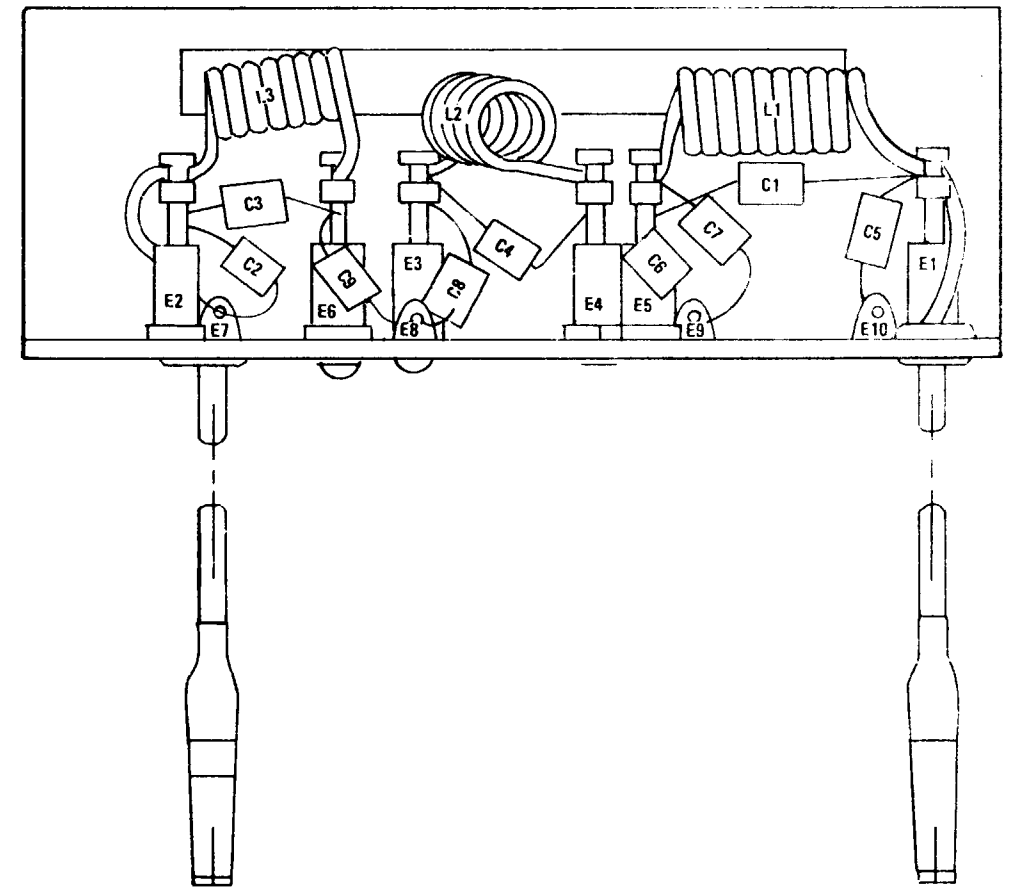


Figure 27. Component Bracket Assembly, PN 755017A4064



NOTES:
 1. ALL CAPACITORS ARE IN PICOFARADS.
 2. ALL INDUCTORS ARE IN MICROHENRIES.
 3. PREFIX ALL PARTIAL REFERENCE DESIGNATORS WITH 1A15.




| Ref. Desig. | Name |
|-------------|-----------|
| C | Capacitor |
| E | Terminal |
| L | Inductor |

Figure 28. Harmonic Filter Assembly 1A15, PN 755017A4070

APPENDIX A**REFERENCES**

| | |
|---------------------|--|
| AR 55-38 | Report of Transportation Discrepancies in Shipments |
| AR 735-11-2 | Reporting of Item and Packaging Discrepancies |
| DA Pam 310-1 | Consolidated Index of Army Publications and Blank Forms |
| DA Pam 738-750 | The Army Maintenance Management System (TAMMS) |
| TM 11-5820-921-40-1 | General Support Maintenance Manual, Power Amplifier AM-6545A/GRC-193A |
| TM 740-90-1 | Administrative Storage of Equipment |
| TM 750-244-2 | Procedures for Destruction of Electronic Materiel to Prevent Enemy Use (Electronics Command) |

RECOMMENDED CHANGES TO EQUIPMENT TECHNICAL PUBLICATIONS



SOMETHING WRONG WITH THIS PUBLICATION?

THEN...JOT DOWN THE DOPE ABOUT IT ON THIS FORM. CAREFULLY TEAR IT OUT, FOLD IT AND DROP IT IN THE MAIL!


FROM (PRINT YOUR UNIT'S COMPLETE ADDRESS)
 Commander
 Stateside Army Depot
 ATTN: AMSTA-US
 Stateside, N.J. 07703-5007

DATE SENT: 10 July 1975

| | | |
|--|-------------------------------|--|
| PUBLICATION NUMBER TM 11-5840-340-20P | PUBLICATION DATE 23 Jan 78 | PUBLICATION TITLE Radar Set AN/PRC-76 |
|--|-------------------------------|--|

| PAGE NO | PARA-GRAPH | FIGURE NO | TABLE NO | IN THIS SPACE TELL WHAT IS WRONG AND WHAT SHOULD BE DONE ABOUT IT: |
|---------|------------|-----------|----------|---|
| 33 | | | | For item 2, change the NSN to read: 5835-00-134-9186. Reason: Accuracy. |
| 44 | | 19 | | Identify the cover on the junction box (item no. 5). Reason: It is a separate item and is not called out on figure 19. |
| 45 | | | | Add the cover of the junction box as an item in the listing for figure 19. Reason: Same as above |

PRINTED NAME, GRADE OR TITLE AND TELEPHONE NUMBER
 SSG I. M. DeSpirit of 999-1776

SIGN HERE



TEAR ALONG PERFORATED LINE

DA FORM 2028-2
1 JUL 79

PREVIOUS EDITIONS ARE OBSOLETE.

P.S. --IF YOUR OUTFIT WANTS TO KNOW ABOUT YOUR RECOMMENDATION MAKE A CARBON COPY OF THIS AND GIVE IT TO YOUR HEADQUARTERS

RECOMMENDED CHANGES TO EQUIPMENT TECHNICAL PUBLICATIONS



SOMETHING WRONG WITH THIS PUBLICATION?

THEN...JOT DOWN THE DOPE ABOUT IT ON THIS FORM. CAREFULLY TEAR IT OUT, FOLD IT AND DROP IT IN THE MAIL.

FROM: (PRINT YOUR UNIT'S COMPLETE ADDRESS)

DATE SENT

| | | |
|---|-----------------------------------|---|
| PUBLICATION NUMBER TM 11-5820-921-40-2 | PUBLICATION DATE 15 January 86 | PUBLICATION TITLE Power Amplifier AM-6545A/GRC-193A |
|---|-----------------------------------|---|

| PAGE NO | PARA-GRAPH | FIGURE NO | TABLE NO | IN THIS SPACE TELL WHAT IS WRONG AND WHAT SHOULD BE DONE ABOUT IT: |
|---------|------------|-----------|----------|--|
| | | | | |

PRINTED NAME, GRADE OR TITLE AND TELEPHONE NUMBER

SIGN HERE

TEAR ALONG PERFORATED LINE

DA FORM 2028-2
1 JUL 79

PREVIOUS EDITIONS ARE OBSOLETE

P.S. IF YOUR OUTFIT WANTS TO KNOW ABOUT YOUR RECOMMENDATION MAKE A CARBON COPE OF THIS AND GIVE IT TO YOUR HEADQUARTERS.

FILL IN YOUR UNIT'S ADDRESS

FOLD BACK

DEPARTMENT OF THE ARMY

OFFICIAL BUSINESS
PENALTY FOR PRIVATE USE \$300

POSTAGE AND FEES PAID
DEPARTMENT OF THE ARMY
DOD 314



Commander
US Army Communications-Electronics Command
and Fort Monmouth
ATTN: AMSEL-ME-MP
Fort Monmouth, New Jersey 07703-5007

TEAR ALONG PERFORATED LINE

FILL IN YOUR UNIT'S ADDRESS

FOLD BACK

DEPARTMENT OF THE ARMY

OFFICIAL BUSINESS
PENALTY FOR PRIVATE USE \$300

POSTAGE AND FEES PAID
DEPARTMENT OF THE ARMY
DOD 314




SAMPLE

Commander
US Army Communications-Electronics Command
and Fort Monmouth
ATTN: AMSEL-ME-MP
Fort Monmouth, New Jersey 07703-5007

TEAR ALONG PERFORATED LINE

RECOMMENDED CHANGES TO EQUIPMENT TECHNICAL PUBLICATIONS



SOMETHING WRONG WITH THIS PUBLICATION?

THEN...JOT DOWN THE DOPE ABOUT IT ON THIS FORM. CAREFULLY TEAR IT OUT, FOLD IT AND DROP IT IN THE MAIL.

FROM: (PRINT YOUR UNIT'S COMPLETE ADDRESS)

DATE SENT

PUBLICATION NUMBER: TM 11-5820-921-40-2

PUBLICATION DATE: 15 January 86

PUBLICATION TITLE: Power Amplifier AM-6545A/GRC-193A


| BE EXACT PIN-POINT WHERE IT IS | | | | IN THIS SPACE TELL WHAT IS WRONG AND WHAT SHOULD BE DONE ABOUT IT: |
|--------------------------------|------------|------------|-----------|--|
| PAGE NO. | PARA-GRAPH | FIGURE NO. | TABLE NO. | |
| | | | | |

PRINTED NAME GRADE OR TITLE AND TELEPHONE NUMBER

SIGN HERE

TEAR ALONG PERFORATED LINE

RECOMMENDED CHANGES TO EQUIPMENT TECHNICAL PUBLICATIONS



SOMETHING WRONG WITH THIS PUBLICATION?

THEN...JOT DOWN THE DOPE ABOUT IT ON THIS FORM. CAREFULLY TEAR IT OUT, FOLD IT AND DROP IT IN THE MAIL.

FROM: (PRINT YOUR UNIT'S COMPLETE ADDRESS)

DATE SENT

PUBLICATION NUMBER: TM 11-5820-921-40-2

PUBLICATION DATE: 15 January 86

PUBLICATION TITLE: Power Amplifier AM-6545A/GRC-193A

| BE EXACT PIN-POINT WHERE IT IS | | | | IN THIS SPACE TELL WHAT IS WRONG AND WHAT SHOULD BE DONE ABOUT IT: |
|--------------------------------|------------|------------|-----------|--|
| PAGE NO. | PARA-GRAPH | FIGURE NO. | TABLE NO. | |
| | | | | |

PRINTED NAME GRADE OR TITLE AND TELEPHONE NUMBER

SIGN HERE

TEAR ALONG PERFORATED LINE

FILL IN YOUR UNIT'S ADDRESS

FILL IN YOUR UNIT'S ADDRESS

FOLD BACK

FOLD BACK

DEPARTMENT OF THE ARMY

DEPARTMENT OF THE ARMY

POSTAGE AND FEES PAID
DEPARTMENT OF THE ARMY
DOD 314

POSTAGE AND FEES PAID
DEPARTMENT OF THE ARMY
DOD 314



OFFICIAL BUSINESS
PENALTY FOR PRIVATE USE \$300

OFFICIAL BUSINESS
PENALTY FOR PRIVATE USE \$300

Commander
US Army Communications-Electronics Command
and Fort Monmouth
ATTN: AMSEL-ME-MP
Fort Monmouth, New Jersey 07703-5007

Commander
US Army Communications-Electronics Command
and Fort Monmouth
ATTN: AMSEL-ME-MP
Fort Monmouth, New Jersey 07703-5007

TEAR ALONG PERFORATED LINE

TEAR ALONG PERFORATED LINE

By Order of the Secretary of the Army:

Official:

MILDRED E. HEDBERG
Brigadier General, United States Army
The Adjutant General

JOHN A. WICKHAM JR.
General, United States Army
Chief of Staff

Distribution:

To be distributed in accordance with special list.

